

*Same*

~~SECURITY INFORMATION~~



This material is published in accordance with Department of the Army Letter, AGAC-C (M) 461 (28 August 52) AGAM, 20 November 1952, subject: "Dissemination of Training and I & E Instructional Material."

~~CONFIDENTIAL~~

~~SECURITY INFORMATION~~

Armed Forces Press Service material appearing herein may not be reprinted without written permission of the Armed Forces Press Service.

Material forwarded by Field Representatives under Circular No. 9, Hq, ASA, 4 March 1953, subject: "Technical and Informational Material should answer one of these questions:

Does it provide information not available elsewhere about something new or interesting in some technical field? Does it point out better procedures? Does it make known heritage and traditions of Agency service or provide information of locations where ASA personnel may serve next? Does it record useful experience of activity? Will it aid training, well being, or morale?

## Suggestions And Modifications

The major basis for improvement of military equipment is the field experience of using organizations. Deficiencies determined from field experience fed back to development channels result in more reliable equipment or equipment having greater operational capabilities. This feedback of information from the field represents a very important part of the Research & Development cycle, and units should be encouraged to offer suggestions, both as to possible improvement of equipment and improvement in operating technique. The maximum value of such suggestions can be obtained by relaying these suggestions to headquarters ASA so that improved equipment and improved techniques may be disseminated to all ASA organizations.

SR-705-5-1 provides that no standard equipment shall be modified in any manner without prior authority from the developing agency, except in cases of emergency. In case of emergency such modifications are authorized, conditional upon a prompt and detailed report to the developing agency. In most instances the developing agency concerned is either ASA, NSA or the Signal Corps. NSA and the Signal Corps, as well as ASA, are vitally concerned in providing the best possible equipment to the field and determining from field experience how better equipment could be provided in the future. Both of these agencies, as well as ASA, therefore welcome suggestions from the field as to the experience with their equipment. On the other hand, military

operations require that as much as possible equipment in the field be of a standardized nature, completely interchangeable between units of same nomenclature. Some modifications might be made which improve certain operating characteristics with no reduction in effectiveness insofar as other characteristics of the equipment are concerned; however, other modifications may improve an equipment's capabilities in respect to one characteristic and reduce its effectiveness insofar as other operating characteristics are concerned.

A thorough and detailed study of the modification must be made before its value can be determined. It is necessary, therefore, that in every instance any modification considered should be reported in detail, either prior to such modification or, in case of emergency, as soon thereafter as possible. Evaluations of the suggestions will be made as expeditiously as possible and the results reported to the originating unit. TE's and SOP's will be modified to incorporate such changes in equipment and operating techniques as are indicated.

No new equipment goes into the field without some "bugs." Your comments and suggestions will help to eliminate these "bugs" in future production.

Suggestions for modifications of equipment should be forwarded through channels to Chief, ASA for official consideration.

NOTICE. THIS DOCUMENT CONTAINS INFORMATION AFFECTING THE NATIONAL DEFENSE OF THE UNITED STATES WITHIN THE MEANING OF THE ESPIONAGE LAW, TITLE 18, U.S.C. SECTIONS 793 & 794 AND PUBLIC LAW 513, 81st CONGRESS, 2d SESSION. THE TRANSMISSION OR THE REVELATION OF ITS CONTENTS IN ANY MANNER TO AN UNAUTHORIZED PERSON IS PROHIBITED BY LAW.

## SOLVING TUBE SHORTAGE FOR BOEME 5C

by M/Sgt Carlton R. Bivin

Dissemination of this article by means of Discussion Topics may not be construed as authorization by this headquarters of the modifications explained.

At one time there was a very critical shortage of 6J6 tubes at Herzo Base. This shortage finally resulted in the deadlining of some Boehme 5-C equipment.

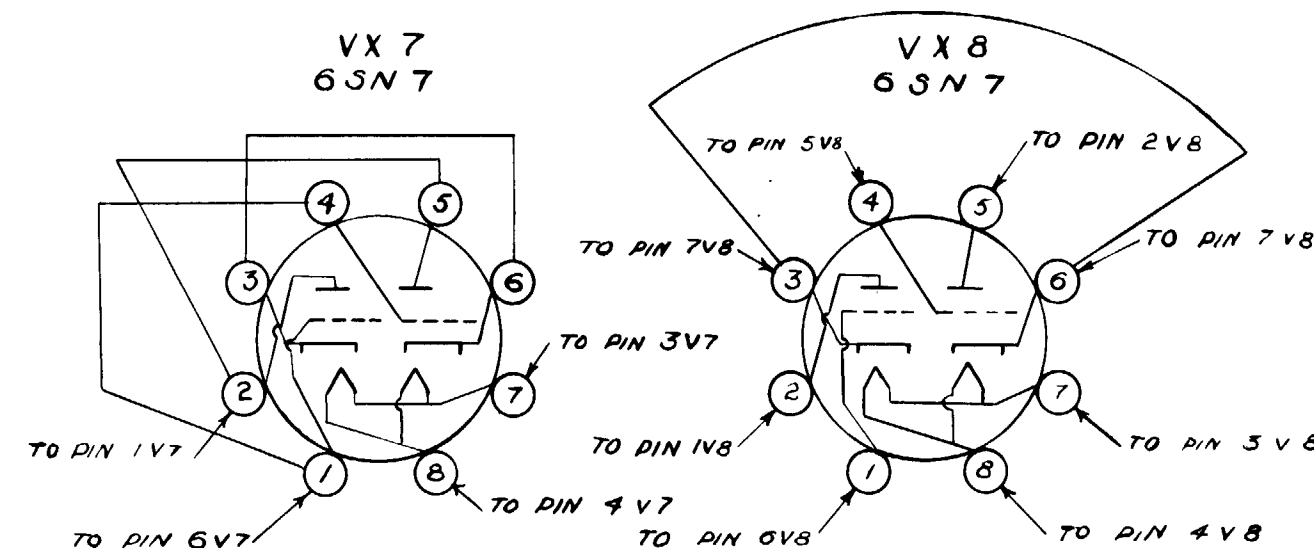
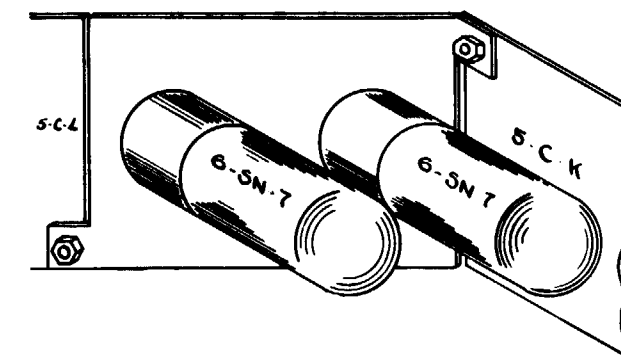
As a stop-gap measure to meet this emergency a substitution of more available tubes, 6SN7's, for the 6J6's was tried. It was found that the equipment would operate very satisfactorily using the substitute 6SN7's, even though the characteristics of the two different tubes were dissimilar.

Since the two tubes require different sockets, a small panel containing two octal sockets was mounted under the chassis of the Boehme 5C and wired to the appropriate pins on the 6J6 sockets.

The new sockets were then in parallel with the existing sockets allowing the use of either type tube by merely inserting the desired type in the correct sockets and removing the other tubes.

This modification is easily removable and it requires no permanent change in the chassis or wiring of the equipment. Operationally, the only significant difference noted was that using 6SN7's made the adjustment of the signal balance and noise rejection controls very critical; however, once the correct setting was made no further change was necessary.

The attached diagrams show the details of construction and mounting of the panels and the pin connections required for the new tube sockets.



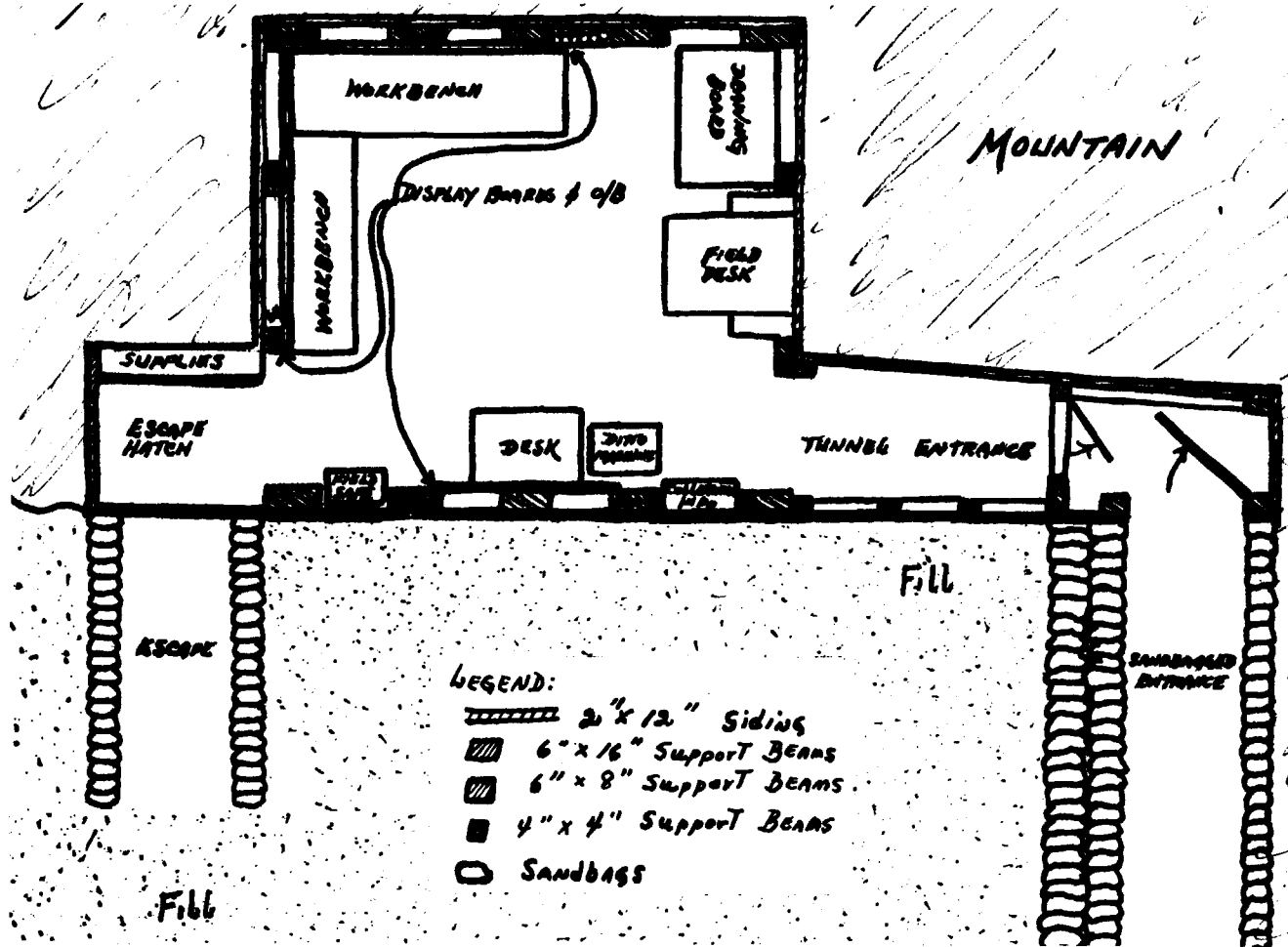
# Experiences Of 304th In Constructing An Atomic Bunker

(Confidential)

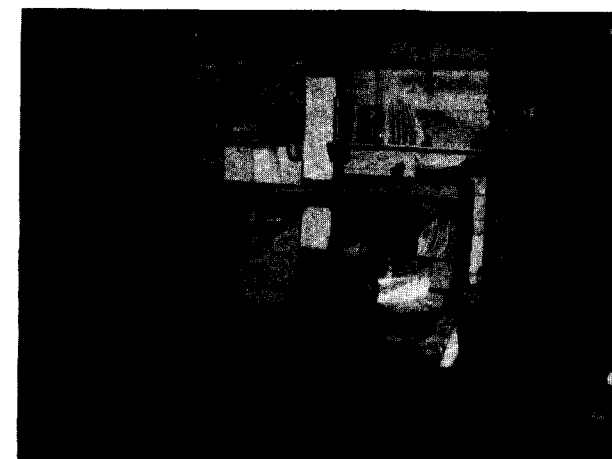
Last Year, Lieutenant General Wyman, IX Corps Commander, called a general meeting to set forth plans for operation "Mushroom." The operation called for IX Corps Headquarters to deploy tactically under Atomic Warfare conditions. This called for the headquarters to split up into three separate elements, each setting up and operating independent of the other. This will provide at least one if not two Corps Level Command Posts in case of an Atomic attack.

As our Battalion does not have sufficiently authorized personnel to allow for more than one operating location, it was decided to set up the entire Operations Section with the forward element of IX Corps, Changam-Ni.

Before very long the section bundled itself up in one 2 1/4 and two 3/4 ton trucks, departed Chunchon, and headed for the mountains near Changam-Ni. Arriving after most of the other IX Corps Sections, the sec-



Floor plan of Bunker.



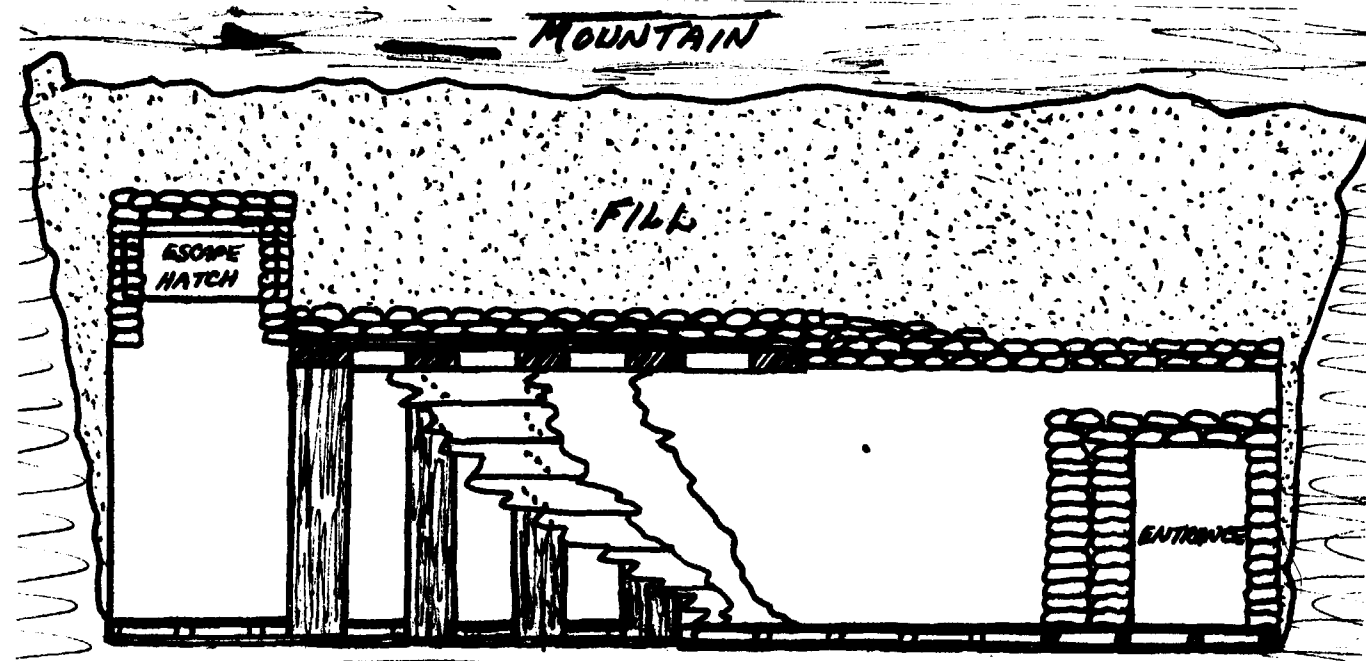
Inside of Bunker.

tion had to locate at the head of a draw where most of the ground was on an approximate 30° slope. After a hurried bit of tent pitching, as protection against rain already falling, a very tired and gypsy-like band bedded down for the night, sleeping almost in the perpendicular; this left the individual a choice of having head or feet downhill. Next day this was corrected by removing five feet of earth from the rear of the tent and depositing same at the front. With a firmly established abode that was readied none too soon, since the last heavy snowfall of the season came at that time, attention was directed to the construction of our bunker.

The digging and building of our Atomic

Bunker was to be coordinated so as not to hinder normal operations. The bunker dimensions were to be approximately 15' X 12' X 7' and construction was begun on schedule. With the turning of the first shovel of dirt we ran into trouble.....ROCK !!! So now, instead of a three to four week timetable it appeared to be more of a two month schedule. As other Corps sections were meeting with the same difficulty, air hammers and dynamite was supplied in addition to the pick and shovel. A daily average of six Korean laborers were available from the labor pool for the construction work. As the dynamite teams and air hammers were limited, approximately 70% of the bunker hole was dug by hand. This added considerably to the building time.

Building materials were hauled in from Kapyong-Ni, 45 miles south. The materials being served on a "what's available" basis, we drew 6" X 16", 2" X 12", 1" X 12", and 2" X 4". For waterproofing we had five rolls of roofing paper and ten small cans of tar. The first beam was erected on the 2nd of June. The job was completed on 11 June and the section moved in on the 12th, continuing operations. Pfc Burden, with his six Koreans, required an additional two weeks to re-cover and camouflage the bunker. Camouflaging was achieved by transplanting trees and grass to blend with the surrounding terrain, with a small amount of garnished chicken wire being used over the



Cross section of Bunker.

walk and the two bunker entrances. As a building sidelight, approximately five cartons of cigarettes were passed out to the Korean laborers during the two month period. This form of inducement accelerated their daily working ability.

Finally came the big test.....RAIN !!! It came down in buckets for five days, nineteen inches in all. Ours was one of the few bunkers that did not leak. The big difference was the installation of the tarpaper roofing and use of plenty of tar. We laid the tarpaper down without nails and put two rows of sandbags on top to keep rocks from tearing holes when re-covering operation was begun. A minimum of four feet, sloping up to eight feet, of fill was placed on top of the bunker.

With its steep slope and being built flush to conform with the side of the moun-



tain, as shown in the picture above, it is estimated that the bunker would withstand an atomic airburst with its various ray effects at ground zero. So.....BRING ON THE BOMBS !!!

## A Crypt Technician In An Embassy

### By Hubert V. Brown

(Confidential)

Based upon the general idea that the more we know about the other fellow's job, the better we can do our own, it has been suggested by the Operations Officer here at Two Rock Ranch Station that I might be able to pass on a bit of information concerning the cryptographic support of Army Attache Offices.

#### SERVED AT THE HAGUE

What I shall say will be colored by over three years duty with the Office of the Army Attache of the American Embassy at the Hague.

First, it may be well to explain something of the general idea of chain of command and relationship with the other services and the State Department.

Our government is represented in foreign countries by, in order of precedence and importance, Embassies, Legations, and Consulates. With an Embassy goes the title of Ambassador; A Legation has a Minister; and Consulates have Consuls General. These representatives of the President of the United States are the senior representatives to the country of their assignment.

Within the structure of an Embassy or Legation are attaches. In a large and important country each service may have an attache and assistant attaches while in a small country one attache may be responsible for representing more than one military service. In other cases an attache might be accredited to more than one country. For example, the Naval attache to the Netherlands is also the Naval attache to Belgium.

The Army Attache Branch is directly under the supervision of the Assistant Chief of Staff, G-2. He chooses an officer for attache duty and asks the Department of State for approval and accreditation and Department of State requests permission from the country concerned prior to making final assignment.

Arrangements have been made between the services for mutual support at country level on many administrative details. In all countries there is only one cryptographic section. The Army attache in the Netherlands is responsible for all communications. Special cryptonets are provided for attaches and they normally hold one world-wide theater system for local mat-

(Continued on page 21)

# The War In The Ether

## THE INTERCEPT SERVICE AT SEA

### (1914--1918)

(Confidential)

The war at sea 1914--1918 (aside from submarine warfare) did not play the role that one had been led to expect initially. Germany's principal opponent at sea was Great Britain. On the question whether the German fleet should seek a decisive battle with the English battle fleet, the German Imperial Government differed with the admiralty staff and with the Secretary of the Imperial Navy, Grand Admiral Von Terpititz. While these last two wished to commit the fleet, above all to interrupt English-French communications across the channel, the Imperial Government considered it correct to guard the fleet against severe losses so as to have it as an instrument of power at the time of the peace negotiations.

Within the framework of the intercept service, however, the interception of enemy radio traffic occupied no less a place at sea than with the land forces. In fact, we may say that here on the quiet a much more intensive battle in the ether was conducted than with the land troops. Primarily, it was England and Germany which paid most attention to the naval intercept service and repeatedly knew how to derive advantage from this invisible weapon.

The principle of disguising radio traffic was here pushed into the foreground far more than ashore. From the very beginning the use of cryptographic systems was on a larger scale. Moreover, the system of so called fake radio traffic was very good; here a message from a naval command station to a ship at sea was apparently dispatched by radio to some other coastal station

while the warship stood by for reception on the same wave length and heard it at the same time.

Soon after the outbreak of the war, the German fleet suffered a mishap which later turned out to be very disadvantageous for the German naval forces. In the Baltic the German fleet opened the naval war with an attack by the small cruisers "Augsburg" and "Magdeburg" on Libau on 2 August 1914. A few months later the cruiser "Magdeburg" was sunk by Russian naval forces in the Baltic. That did not remain a secret. However, it did remain a secret that the Russians sent down a diver to the sunken "Magdeburg" who brought up from the radio booth the code book with its heavy lead covers. The book was dried carefully and proved to be utterly undamaged. Monitoring of German naval traffic by the Russian naval intercept station at Kronstadt revealed that the Germans were still working with this secret system. Now there began a lively deciphering activity at the Russian cipher bureau in St. Petersburg which yielded excellent information regarding all events in the German high seas fleet. The English got a copy of the code, and henceforth were likewise in a position to decipher German naval radio traffic - and that for a period of years!

One of the first successes of the British Fleet, which was based on results of the intercept and deciphering service, was the battle at the Doggerbank on 24 January 1915. The English had been able to follow exactly the approach of the German light naval forces, and they knew all the German

Translated from original German materials by  
Dr Ray W. Pettengill

ship units which had been committed for this action. The sinking of the German armored cruiser "Bluecher" at that time was due to the English intercept service.

In the course of the First World War, the interception of naval radio traffic assumed even greater proportions; the English in particular achieved very noteworthy results in this field, especially in monitoring the radio traffic of German submarines with their bases and with other naval units on the high seas.

The London "Times" on 22 December 1927 published a short resume' of a lecture delivered by Sir A. Ewing, Professor of the Philosophical Faculty at the University of Edinburgh. This man, an outstanding professor, was, during the war 1914-1918, chief of that bureau of the English Admiralty whose task it was to decipher the intercepted radiograms of the German Navy. This bureau thrived beyond all expectation and had more than 50 regular decoders; on the average 2,000 intercepted messages were handled here daily. All movements of German warships were followed by the British Admiralty primarily by the aid of information secured in this fashion. As Sir A. Ewing remarked, thanks to various fortunate accidents, the British information service had nearly all the German codes in its possession; the remainder were solved by analytic methods.

The carrying out of the long range blockade by the British of the German North Sea Coast was possible with only meager forces because they were promptly informed regarding all movements of German units. Moreover, the British cipher bureau very quickly succeeded in solving the German cipher used in the radio traffic with submarines. This was a success of really inestimable value since now in connection with the direction finding service the English were in a position to follow the routes of the German submarines precisely from day to day. While in Germany people were anxiously endeavoring to keep everything pertaining to the use of submarines strictly secret, doubling and tripling their guards and security measures in a downright convulsive fear of English spies, the English Intelligence Service had nothing to do but to follow carefully German naval radio traffic. In Room Number 40 in the British Admiralty, in which the evaluation center was located, there was a busy

activity day and night. On an enormous wall chart the ascertained positions of German units were entered. Everything having to do with this was as well known here as if details had been published in an "Extra."

The English were the first in the First World War to create a technically exact and fast working system of evaluation, a system which can be regarded as modern even today. The "direction finding" stations were connected with each other and with the central office by teletype. Every reading taken was passed at once to the central office, and laid out here by the aid of silk threads on a great orientation map which was mounted horizontally. In the cipher bureau sat the men who day and night deciphered every incoming intercepted radiogram. An enormous card file contained all station call signs which had hitherto appeared in the intercept service, along with all other available data, and this made it possible to recognize currently the systems according to which call signs were changed in the German traffic, to reconstruct these, and even to tell in advance what call signs this or that German station would have tomorrow or day after tomorrow or a week hence.

The collaboration between direction finding, evaluation, and decipherment was here so sensible and well-organized as it never was in Germany either during the First World War, or after the war, or even during the Second World War, because here they never got away from petty concern with their own interest and egotistic pride in their own unit.

What significance the English attached even at that time to the intercept service is evident from the mere fact that there was an Admiral at the head of the service; in Neumuenster (where the central office of the German Naval Intercept Service was located) it was a naval lieutenant. In London, at the last, several hundred men were engaged in decipherment and evaluation, in Neumuenster there were a few dozen. And if, in spite of that, successes were scored by the German Naval Intercept Service, then that was due to the intelligence and initiative of individual men. The over-all organization was inadequate.

The greatest success of the young German submarine weapon came soon after the be-

ginning of the war in the sinking of three English armored cruisers by "U-9" under Lieutenant Weddigen. That was before the breaking of the German code for submarines. Later, when in February 1915 submarine warfare was carried on according to plan, it did not bring the expected results, and for the above-mentioned reasons could not possibly do so. After the sinking of the "Lusitania" submarine warfare was also limited by American pressure. And when it was resumed again in an intensified form on 1 February 1917, it only served in conjunction with the Zimmermann dispatches to bring the USA upon the scene of action as an active opponent.

The forces available at the beginning of the war for cruiser warfare abroad consisted essentially of the eastern Asiatic cruiser squadron under Vice Admiral Count Von Spee. Since Von Spee could not contain himself in eastern Asia against the superior forces of the Allies, he put out into the Pacific on 13 August 1914. His squadron consisted of the armored cruisers "Scharnhorst" and "Gneisenau," and the small cruisers "Dresden," "Leipzig," and "Nuernberg."

What happened in the next weeks on the Pacific was an extremely interesting battle in the ether, which was essentially something brand new. While the English radioed away bravely in their chase for Von Spee's squadron, with the result that it was always possible for Von Spee to keep posted on the movements of the enemy, he himself was able so to mislead the enemy by radio silence and occasional deceptive radio traffic by the ship's radio of the little cruiser "Emden," which had been ordered into Australian waters, that his appearance in Chilean waters came as a complete surprise. At Coronel on 1 November 1914 Von Spee's squadron in complete battle order and battle readiness met the squadron of the utterly unsuspecting Admiral Cradock, who supposed that Von Spee was far away in the direction of Australia. Von Spee was able to bring his ships into such a favorable position and strike so unexpectedly that within the shortest time the British armored cruisers "Good Hope" and "Monmouth" were sunk, and several other units badly damaged. By this naval victory allied shipping in adjacent areas was almost completely paralyzed for a number of weeks.

To be sure, the "Emden" itself fell a victim, so to speak, to radio traffic a few days after the battle at Coronel. After a fairly long career as a raider in the Indian Ocean, it had appeared off the Kokos Islands to take on water and destroy the radio station there. In so doing, the radio station of the "Emden" engaged in traffic with the land station which took the "Emden" for an Australian cruiser. During this radio conversation the operator of the "Emden" did something in an unskillful way so that the land station recognized the true character of the ship and sent out alarm messages; the "Emden" now sent out a landing unit to destroy the radio station. While the ship was waiting for the return of this unit, a superior Australian cruiser hurried up in response to the alarm messages from the station, fired on the "Emden" and damaged it so badly that it had to be run on the reef by its own crew.

Count Von Spee had a similar misfortune with his squadron on 8 December 1914, when, on his way around South America, he was approaching the Falkland Islands and made contact with the radio station there without noticing that a strong British squadron was lying protected by the islands. In this way Von Spee gave himself away prematurely, and was attacked unexpectedly without being able to deploy his ships properly.

The greatest sea battle of the First World War was the battle of the Skagerrak on 31 May 1916. It, too, was influenced by the intercept service and, to be sure, on both sides. Both the British and the Germans had followed the course of the enemy squadrons; the only difference was that the Germans had succeeded in veiling the course of the German main fleet so that it appeared as a surprise for the English, and by so doing decided the course of the battle.

In many other undertakings at sea during the First World War, the intercept service played a decisive role.

### 352d Popular With Koreans

Citizens of Sam Chung Dong Chong No District, Seoul, visited the 352d, congratulated the men on the anniversary of their advent in Seoul and thanked them formally for aid.

# Low Level Support On Korean Fronts

(Confidential)

By Capt Joseph Goldenberg

Early in the Korean conflict, a definite need became apparent for ASA support of forward combat units. Such a mission was not provided for by the current T/O&E's, therefore it was necessary to obtain personnel and equipment from standard ASA units and to borrow equipment from combat units in order to initiate the low level program.

Since its inception in the middle of August 1951, ASA support of combat units has mushroomed into one of the principal missions of ASA in Korea. Its success is strongly evidenced by the constant demand for additional tactical ASA support by field Commanders. Security regulations prohibit the use of specific examples or "war stories" which would bring to light the entire effectiveness of low level teams; however, certain information can be given which will serve to impress all concerned that ASA has given and will continue to give combat forces a helping hand.

Field commanders agree that one of their most prolific sources of intelligence is through the low level effort. Low level teams in direct support of regiments and lower units operate along the main line of resistance or if necessary along the outpost line of resistance. Their work is in areas constantly subjected to artillery and mortar fire. To date, thanks to well constructed bunkers and to common sense safety precautions, there have been no battle casualties in low level operations. During the recent heavy rains in Korea, it is interesting to note that ASA bunkers as a whole withstood the effects of the storms whereas many in other units did not. ASA bunker design has been perfected by ASA personnel and in most cases is capable of withstanding a direct hit from a 155mm artillery shell.

Life in a low level team is interesting, but the work is exacting and the hours are often long. When excitement comes, it comes in large packages. The satisfaction

of assisting combat units and saving the lives of fighting men is a wonderful reward in itself.

Since personnel in low level teams are subjects to most of the hardships of the combat troops around them, it is important that they be trained mentally and physically to undergo this rigorous life. Such training at the ASA Training Center, Fort Devens, Massachusetts, would prepare personnel for this specialized mission.

Low level units in Korea have been praised by tactical commanders from Corps Commanders down to patrol units. One corps commander in official correspondence stated that expansion of the low level effort was "of the most pressing importance." Recently one of the low level commanders was praised and thanked for intelligence he gathered which made it possible for a friendly patrol to avoid ambush and probably annihilation by the enemy. There have been many instances such as this. Citations, commendations and awards by divisions commanders, now a common occurrence, furnish further proof of the success of this mission. Recently, one division liaison officer (low level commander) was awarded a Legion of Merit by the supported division commander. Bronze Stars have been numerous.

Aside from the fact that personnel from low level teams are awarded 4 points per month for rotation purposes, this work affords an excellent opportunity for red-blooded ASA personnel to get a good taste of the dangers and excitement of war. That ASA has its share of adventures and pioneers is evident by the large number of requests from both officers and enlisted men for assignment to low level units.

Tactical commanders want to know what's happening right now and what's going to happen in the next few hours. Low level support is the answer to that problem.



# Cryptographic Training

Problems By Thomas A. Shealy

Opportunity will continue to be provided herein for practice in the solution of problems in cryptanalysis. This ancient and esoteric art was a favorite of Francis Bacon in Queen Elizabeth's time and a profitable diversion for Thomas Jefferson. It would have been the sport of kings, like Cavalry, if kings had minds as limber as their seats and could master the mysteries of hidden language as readily as they did their mounts. All who wish to graduate from the blue lodge of crossword puzzles into the higher arcana of Vigenere squares and Playfair ciphers are invited to try their hands at the unraveling of these mysteries. To strike the proper mood, something informative will continue to be prefixed to the problems themselves.

Ideographic writing depicts ideas in two manners altogether different: directly, by pictures representing the objects themselves; symbolically, by the reproduction of a material object or a conventional figure to represent an abstract idea. In ideographic writing the pictures express the object by the painting of the object itself, the sun by a disk, the moon by a crescent. The symbols, however, may be of two kinds, simple or complex. The simple ones are formed, by synecdoche, in depicting a part for the whole, or the whole for the part (the pupil for the eye); by metonymy, in depicting the cause for the effect and the symbol for the thing it represents (the sunrise to sunset cycle for the day. by metaphor, in depicting an object by a figure which is the result of a comparison between the object of the idea expressed and the figurative meaning which one desires to give to it (the fore parts of a lion to denote the idea of priority); by enigma, in representing the image of an object having only fictitious relation to the object of the idea noted (a sparrowhawk on a perch to express the idea of God). Complex ideographs consist of the junction of several pictures, the combination representing an idea which a simple symbol could not depict (a reversed crescent accompanied by a star to give the idea of the month.)

Ancient inscriptions, strictly speaking, are not cryptographic since they were not drawn up with the purpose of a hidden or abridged text; they are simple systems of writing of which the usage was lost and which were able to be read again after certain study and research.

## Problems

5. PUZ DE AFK 2500 KCS 300225Z

D C H O R S N C M L V R A N I A C Y U Z  
K H O W W N R U U E N T I I L G O N R C  
U K I F F V B F O C C F F V B F F V B I  
L G E S E N D C U F O D B K I S U L U F  
E L D E K D I B E H X I T S U M T N D I  
L V P N G T H L M T H I S O D K V H N Z  
C L V X K K I V B K V J U T G T I Q O S  
E V E N T V N S E V E T T B N F B T L  
V E X I L G E S E V E R A M E D A S O L  
D X K B Z H I C C N F C U K I M I B Y C  
U D I B Z L V E N T N A K K H V P S F U  
D N F S E V E V P V P V E X K N Y C U V  
P S F N T Q E F E N S U D L Z D C H O R

6. EJO DE AFK 3000 KCS 300250Z

D D W H I O B V G R R L O W T D S A O C  
P W D S Z R D S Z C M A V G F C V R D D  
R A O S D I E V G F P W U R R L O W T D  
S O U D F M S F G I F V H G L T D O Z I  
G A F R I D V D S F F Y S R D C G B V I  
E V G S D R R F F F Q S U H V U I T U T  
C B S M C T T X N T E A X T D F B F Q S  
Z Y S R D C G Y S R Q T B I E V G R Q T  
B R Q T D O U D F T D C D T U G F C Q W  
D B N S Z M Y D V R W D V Q G F Q S U H  
V R Y T B V D B E W Q D B X T X X F O A  
S C V G V U E G L U E Q Z T E A H X X X  
D D W H I

7. AFK DE TYD 4000 KCS 300635Z

A E B L A N V O Z T K S R Z C G U I B M  
K P I H S F Q R D M C P K S H N T K A W  
M T A N V V M A O W M B M L I Z D W K I  
L O Z U A M I I L S M X B A O W M H S U

SFAOQ ATBOT MOZRF EMFAO  
 ZRFMS BYILM IPZLY IBWMH  
 TKBVP FSWKI LOZUA IWVNS  
 MNVAB QUOAU TMUYA RFV MU  
 NCMCX ELOZW KCXMB ZNEMF  
 AEMFA MSBYW KNTMB UWRFR  
 DKWAF PMTAM SBYFA LKTAA  
 BZQKS QVNVX RCFW NUKWK  
 LKIIIL STXXX AEBLA

1	2	3	4	5	6	7	8	9	0
C	R	Y	P	T	A	N	L		
S	I	B	D	E	F	G	H	J	K
M	O	Q	U	V	W	X	Z	.	,

Keyword = Cryptanalysis

Problem 2.

CHA DE SOM 2400 KCS 100840Z  
 FROM SOMMERRS TO CHANDLER STOP REQUEST AD-  
 DITIONAL REENFORCEMENTS FOR THREE TWO RE-  
 GIMENT AS SOON AS POSSIBLE STOP REENFORCE-  
 MENTS REQUESTED LAST WEEK HAVE NOT YET AR-  
 RIVED STOP SITUATION SERIOUS AS REGIMENT  
 IS GREATLY UNDER STRENGTH

2	6	5	0	8	
9	T	R	A	F	I
7	C	N	L	Y	S
1	B	D	E	G	H
3	K	M	O	P	Q
4	U	V	W	X	Z

9713426508  
 TRAFICNLYS

Keyword = Traffic Analysis

Problem 3.

CHA DE BLA 2600 KCS 100935Z  
 ENEMY ATTACKING OUR POSITION AT CROSSROADS  
 FOUR SEVEN FOUR STOP FORCE ESTIMATED AT  
 ONE REENFORCED REGIMENT MAKING ATTACK STOP  
 EXPECT TO RETAIN PRESENT POSITION UNLESS  
 STRONGER ATTACK DEVELOPS STOP BLACKSTONE  
 COMMANDING

3	7	1	5	9	
12	C	O	M	U	N
34	I	A	T	S	E
56	R	Y	B	D	F
78	G	H	K	L	P
90	Q	V	W	X	Z

Keyword: Communications Security

Problem 4.

CHA DE MAR 2200 KCS 1001120Z  
 REFERENCE YOUR MESSAGE NUMBER ONE STOP AT-  
 TACK ALONG THREE ONE REGIMENTAL FRONT BE-  
 GAN AT ONE ZERO ZERO TODAY STOP MY REGI-  
 MENT HOLDING FIRM STOP COLONEL MARSH COM-  
 MANDING THREE ONE REGIMENT

M	I	L	T	A	R	Y	N	E	G	C	B	D	F
10	11	12	13	14	15	16	17	18	19	20	21	22	23
20	21	22	23	24	25	26	01	02	03	04	05	06	07
H	J	K	O	P	Q	S	U	V	W	X	Z	P	
24	25	26	01	02	03	04	05	06	07	08	09	C1	
08	09	10	11	12	13	14	15	16	17	18	19	C2	

Keyword = Military Intelligence

**Clues**

Problem 5.

SBOQF ZXIQT LPNRX OB  
 AMSLR CPYRR YAI

Problem 6.

BKQNO MQWNA EJ RAN OA  
 O BDFJ BKQPQ LM

Problem 7.

NJYWD YGP  
 QDDME NQBD

Problem 8.

DKNEV KJPWH PSKOM QWNA  
 XQQXZ HBKBJ V

**Solutions to problems in the  
 last published issue of the  
 Review.**

Problem 1.

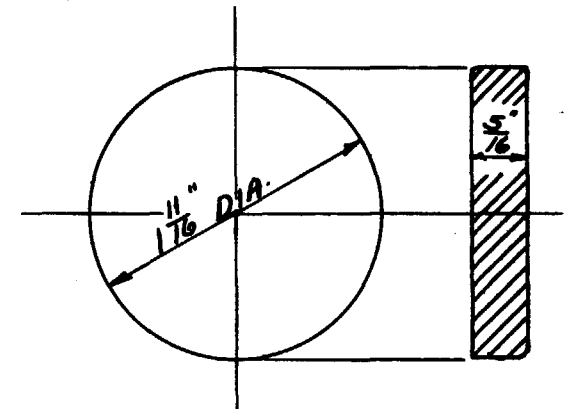
MAR SOM BLA DE CHA 2000 KCS 100625Z  
 TO ALL REGIMENTAL COMMANDERS STOP EXPECT  
 ENEMY COUNTERATTACK ALONG DIVISION FRONT  
 BEFORE ZERO NINE ZERO ZERO STOP THREE TWO  
 REGIMENT WILL REMAIN IN RESERVE STOP CHAN-  
 DLER COMMANDING ONE ONE DIVISION

**TASATC USES TAPE CORES OF RUBBER  
 TO PROTECT ASPHALT TILE FLOORS**

The ASA Training Center has discovered a good use for the disk-like rubber cores around which undulator tape received in recent shipments is wrapped. The floors of two of their buildings at Fort Devens were done over completely with attractive asphalt tile, which is easily marred by the office furniture. The unsightly indentations made in this manner cannot be removed. When the new tile was laid, the rubber disks were placed under the legs of all tables, desks, and other heavy objects and glued on. These rubber disks are hard enough to stand wear but soft enough to prevent damage to the tile.

The disks, which are usually discarded, are readily available. The suggestion of Colonel B. F. Hurless, Commanding Officer of the Training Center, that similar use of them could be made in other units, is

passed on.



Two views of undulator tape roll core plugs of rubber for use as protectors for office furniture on tile floors.

**Modification Of The BC-1016 Recorder**

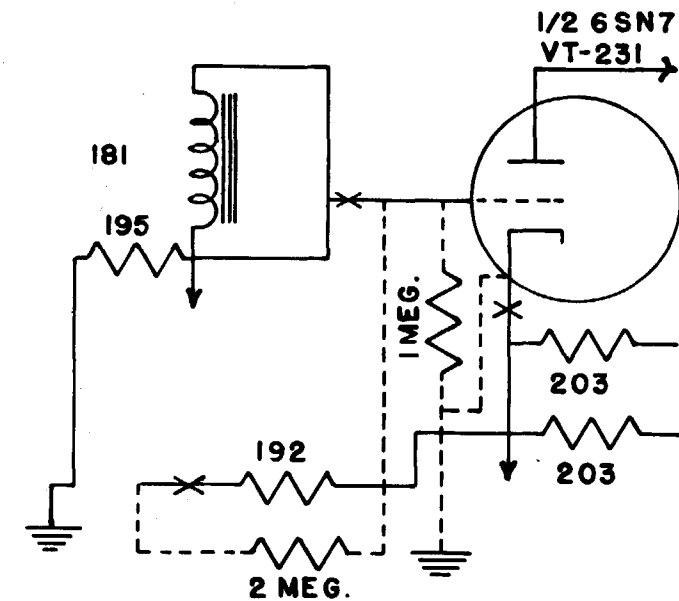
By Edwin W. Reinert, SFC

(Dissemination of this material may not be construed as its sanction by Hq, ASA.)

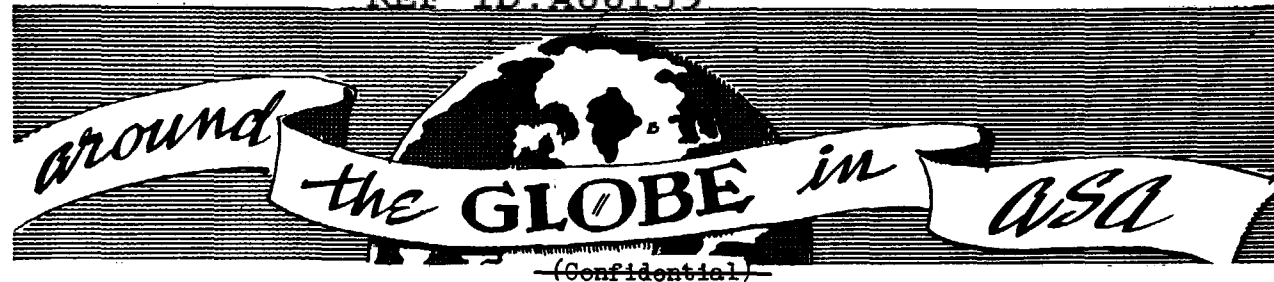
Because of the present shortage of manual morse operators encountered at Field Station 8606, it was deemed expedient to modify the BC-1016 to record certain morse signals obtained from the "Tone Keyer" terminals of a Bohme 5C converter. The solution to our problem has proven to be a much more satisfactory arrangement than the old system. The inclosed diagram is self explanatory. The dotted portion of the diagram represents the added circuit. The X's in the diagram indicate breaks in the original circuit necessary to accomplish the modification. The parts needed are listed on the diagram, and consist of two resistors placed in the input circuit of the 6NS7 trigger tube. It is believed that further explanation is unnecessary.

The same result could have been obtained by using a relay to key the BC-1016, and for those of you who cannot spare a few BC-1016's for modification, the relay method would be the satisfactory solution. A teletype RY-30 Line Relay (WECO No. 255A) has been found to be an excellent relay.

**DIAGRAM FOR MODIFICATION  
 OF THE BC-1016 RECORDER**



NOTE: THE PARTS NEEDED FOR THE MODIFICATION ARE AS FOLLOWS  
 A. 1 ea. 1 MEG. RESISTOR  
 B. 1 ea. 2 MEG. RESISTOR  
 THE MODIFICATION IS THE DOTTED PORTION OF THE DIAGRAM ABOVE.  
 THE X'S INDICATE BREAKS IN THE ORIGINAL CIRCUIT.  
 THE OUTPUT OF THE BOHME IS CONNECTED TO THE KEYING  
 TERMINALS OF THE BC-1016. (It will be noted that it is  
 important to observe polarity, the bottom terminal on the  
 keying terminal strip of the 1016 is ground)  
 The tone keyer output of the Bohme is the output used,  
 the left terminal is the ground terminal.



### 333d Comm Recon Co

The 333d Communication Reconnaissance Company marks another month in the frigid temperate almost "tropical" zone of Alaska. The weather was such last summer that it was possible to wear furs at night, bathing suits in the afternoon, and suntans in the mornings.

### Artificial Wells

The words "Communications Reconnaissance" have come to include construction, engineering, transportation, and well-digging. Well-digging as defined briefly by Webster, "an issue of water from the earth, or a pit or hole sunk to reach a supply of water." Here in the Arctic, however, a well is a depression thirty to fifty feet deep dug through perma-frost, tundra, fossil, and stratum. The equipment needed, a pick, a long rope with a pail, and ten MOS's peculiar to the 333d organization. Once finished; the depression is filled with four to five hundred gallons of water, carted from a nearby lake. This process is repeated daily as drawing the water from the well has a tendency to lower the level.

### Detachment F

Detachment "F" at Gambell has completed its first six months of outpost duty in surroundings resembling something invented by Rube Goldberg in one of his brighter moments. For instance, in the refrigerator building it was necessary to keep three oil stoves burning continuously in order to keep it warm enough so the refrigerator motors will operate to keep it cold.

### Winter Returns to Fairbanks

After an extremely warm (for Alaska) December, Fairbanks in general, and the men of Field Station 8607 in particular, experienced a January which was as severe as December was mild.

The mercury averaged a mean 30° below, and not once during the month did it rise above zero after the 8th. That is in contrast to the normal January average temperature of -11 degrees. On four nights the thermometer dipped below -50 degrees, with the low for the year, -54 degrees, registered on two occasions. When a "heat wave" finally forced its way through the cold air masses on 9 February, a high plus 22° was recorded.

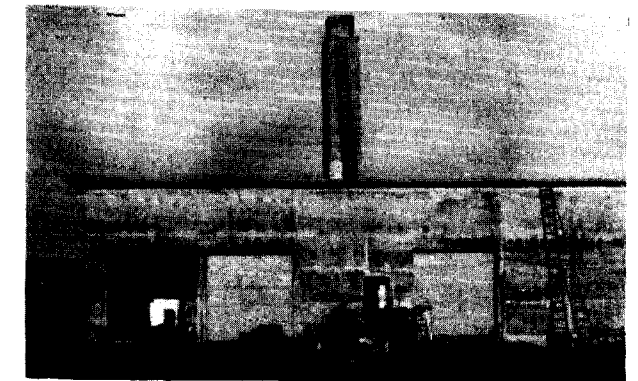
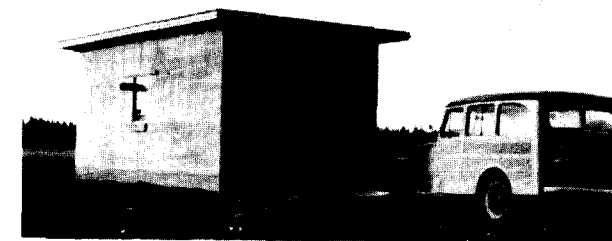
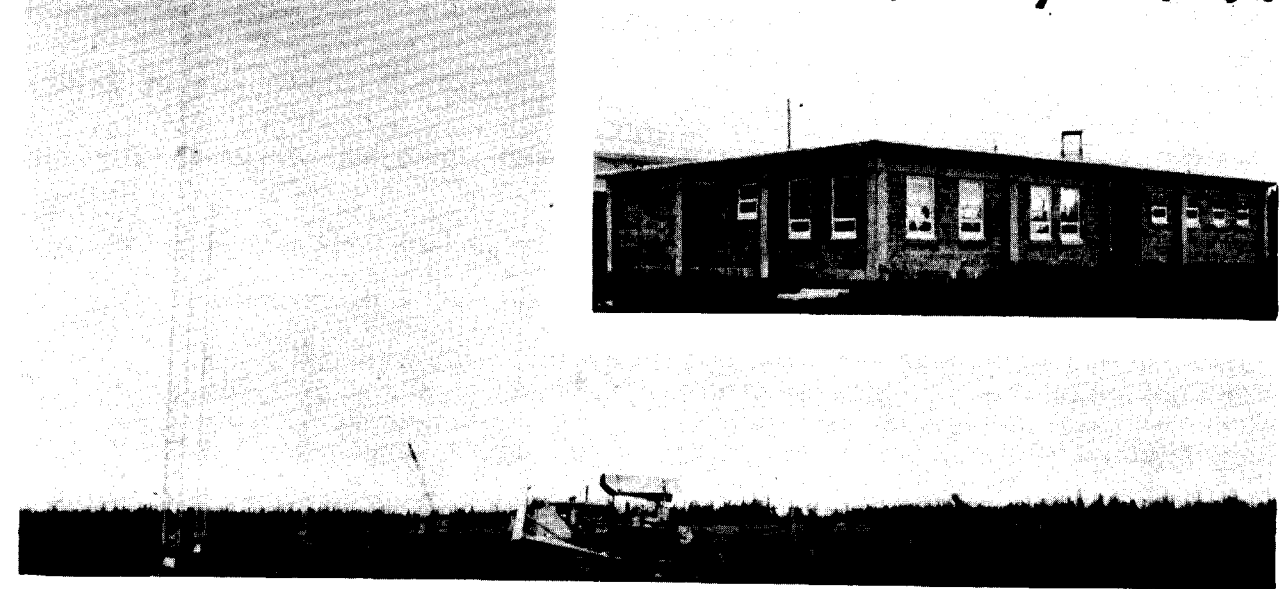
### March of Dimes

The most successful single fund-raising effort by Field Station 8607 for the March of Dimes was a basketball game between the Brass and the Zebras (otherwise known as Officers versus Master Sergeants and Sergeants and Sergeants First Class).

Contributions by the 60-odd in attendance amounted to \$74. of the total \$170.35 netted by the month-long Polio Drive. The game was held in the open and the 40° below zero weather had no effect on the attendance.

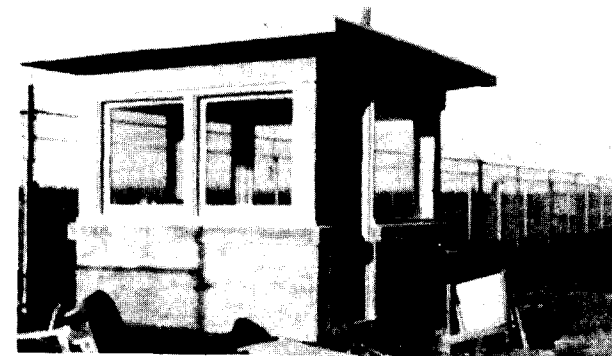
Army Security Agency

## STRUCTURES FOR FS 8607 AT KENAI, ALASKA



### PHOTOGRAPHS OF CONSTRUCTION

Top Right: Headquarters Building; top and across: Antenna Field showing steel masts and Engineers ditching for cable; across middle, Operations Building; small photos at left: upper: D/F Building; lower Gate House and fence; lower right: Heating Plant for Operations unit.



Discussion Topics



This is our first communication with a headquarters ASA publication. In this article we will attempt to give a resume of the setting-up and working of Detachment "A".

Because of a very large sand bar, the boats were unable to reach the beach at this site. It was then decided to set up near the Air Force Base at Tin City, Alaska.

The operations building is a quonset ninety-two feet long and twenty feet wide. It consists of five sections: Operations room, radio maintenance, kitchen with emergency supplies, emergency living quarters, and the generator room. The men are quar-tered with the Air Force detachment.

All installations on the west coast of Alaska have two great problems: water and communications. We have two ways of combat- ing the water situation. One is to have large storage tanks, which are filled dur- ing the short summer months; the other is to melt snow. Since our installations are temporary, we melt snow when we cannot draw from the large storage tanks of the Air Force.



### ASAA Starts Operations

Following in the rise of ASA expansion in Europe, additional support to the various Army units was effected with the operation of ASA Austria (8618 AAU).

The 328th Comm Recon Co, the USFA Command support unit, arrived in the theater from Fort Devens, Massachusetts, and was assigned to ASAA. They started full ASAA operations

## 8604th

### 8604th Helps Sell America to Emperor of Ethiopia

Haille Selasse, the First Emperor of Ethiopia, the Empress of Ethiopia and mem- bers of the Imperial Staff visited Radio Marina recently. Since Eritrea has become part of Ethiopia, a good impression by him of the station was important.

Perhaps the biggest surprise of the en- tire tour came as Haille Selasse viewed the murals, tablecloths, and the food being prepared at the mess hall. The Emperor was greatly surprised to find that this was an enlisted men's mess.

At the Field Station 8604 PX Haille Se- lasse had his first milk shake, which his youngest son, an admirer of stateside food, drink, and music, had suggested to him.

During the entire visit, the Emperor was very cordial. Both his dignity and his consideration were very impressive. The party was followed by military personnel and dependents of the post, each of whom seemed to have at least one camera.

the latter part of October at Salzburg.

At first 16 enlisted men were assigned to 8618 AAU, but upon completion of the bil- leting area and the necessary security re- quirements in the operations area this to- tal was increased.



Location of ASA Austria

## 332d

### Welfare Activity

Perhaps the most popular welfare activity on the post is the Enlisted Men's Club. Although it began last November as a part of the consolidated mess operated by the 332d Comm Recon Co (Int), it was soon in- tegrated into the sub-post special servic- es program.

The Kaserne library, which opened 8 July 1952, has become a reliable attraction.

Records show that ASA men have a definite preference for detective novels, while they scorn the well-stocked shelf of Westerns. Non-fiction books have about the same at- traction as novels, but the 50 different magazines are the most popular reading material.

## 8608th

### Use Historic Edifice

Children of two couples in the 8608th at Scheyern were christened by the Chaplain of the station in the Scheyern Monastery of Kloster. It is one of the oldest Monas- teries in Southern Bavaria, being estab- lished as a religious institution more than 900 years ago. It maintains schools for boys and girls, an orphans and old folks home, and a seminary for boys. Its library contains several thousand volumes of hand printed books, dating back before the time of Columbus. The Kloster also is engaged in translating scrolls and ancient documents for universities throughout the world. Land for the Scheyern Military Com- munity was donated by the Kloster, which owns or at one time owned most of the rights of way and public utilities in Scheyern.

## 328th

### Advent In Germany

The ZI began buzzing in July as the 328th made ready for overseas shipment. The ad- vance party left Fort Devens on 16 July and arrived in Germany 4 August 1952. Af- ter working with the men of the 8608 at Scheyern for three weeks setting up the camp, the main body arrived from the states

and found their new home ready for occu- pancy. The PX, laundry, dry cleaners, bar- ber shop, newsstand, snack bar, fully equipped library, day room, and many other facilities to insure the high morale of the unit were all in operation upon arriv- al of the main body. The billets and the mess hall were fully equipped, and each man's bed was made up for him. All of this came to be through the courtesy and hard work of the sponsoring unit at Scheyern commanded by Captain Jenkins; assisted by the members of the advance party. While a German Bavarian band played some music, the men proceeded to get settled in their new home. The first meal, steak, was pre- pared, and the band serenaded the men to off-key German melodies. The welcoming left little to be desired and the unit got off to a good start.

## 852d

### 852d Goes To Paris

The 852d Communication Reconnaissance Detachment is now attached to SHAPE Head- quarters with various parts of the unit scattered around and in Paris.

The analysis sections are located within 2 blocks of the Arc de Triumphe, while the radio site is near St. Germain, a distance of about 15 miles from Versailles where the men are billeted, the analysis section is about 13 miles from Versailles and 10 miles from St. Germain.

### Saint Germain En Laye

The 852d is located quite near St. Ger- main-En-Laye. On the way to work our radio site personnel pass through this interest- ing historical city of 22,013 inhabitants. It is a well-known resort town which oc- cupies a magnificent position at a height of 316 feet. Saint-Germain is situated on the edge of a plateau overlooking a loop in the Seine, at the border of the famous Saint-Germain forest.

The Castle of Saint-Germain was one of the principal residences of the French Kings, from Louis le Gros (12th century) to Louis XIV. The present edifice, of the Renaissance, built under Francois I by the architect Pierre Chambiges was restored

under Napoleon III. It retains two older constructions: 14th century dungeon of the time of Charles V, which is at the left of the entrance, and the admirable Sainte Chapelle, erected by St. Louis from 1230 to 1238; it is one of the purest jewels of Gothic art of the 13th century.

The Castle contains the museum of French national antiquities (prehistoric, Celtic and Gallo-Roman), founded by Napoleon III.

The famous terrace, 7390 feet long, overlooks the valley of the Seine, on the edge of the forest and dominates an immense panorama. At the south end, the Pavilion Henri IV is the only remainder of the 16th century Chateau Neuf, where Louis XIV was born on September 5, 1638.

Opposite the Castle the church, reconstructed in 1766, contains the mausoleum of James II Stuart, King of England (1701).

The Town Hall has some superb tapestries of the Gobelins (17th century). In the Place Maurice Bertheaux one sees a monument of the composer Claude Debussy (1862-1918).

To the north of the city lies the forest of Saint-Germain (10,000 acres) which the Poissy, Pontoise and Maison Laffitte roads cross.

In a clearing, Les Loges, former convent, today education home for the legion d'Honneur stands overlooking a tuft of woods from where can be heard our radio receivers.

## 502d

### Rehabilitates Old Buildings

Welfare activities for units of the 502d Comm Recon Group at Badenerhof Kaserne, Heilbronn am Neckar, were inadequate when most of the troops arrived. But with characteristic enthusiasm the personnel are improvising facilities for wholesome utilization of off-duty time.

Plans have been approved, for the construction in 1953 of a bowling alley in an old German stable on the Kaserne at a cost of about \$42,000. The stables have the proper lay-out for a bowling alley without too much reconstruction. They are long, low, and narrow already.

Construction was started on the conversion of an old German riding hall into a modern gymnasium with courts for basketball, badminton, and other intramural sports. This building, too, is about the proper size for a fine field house. Including the cost of bleachers, it is expected about \$71,000 will be expended.

One project, entirely home-grown was for a chapel. When a newly assigned Chaplain arrived with the 502d in July, he took one look at a section of a dilapidated German stable and said, "Here I shall build my Church."

On his own initiative, the Chaplain has obtained an appropriation of about \$4,000 from a Stuttgart Military Post Fund for conversion of the stable into a chapel about 30' x 100', which will seat about 150 people.

The appropriation took care of only the rehabilitation of the building. Donations were received for altar cloths, drapes, carpets, and other appropriate ecclesiastical appointments. Men from the 354th Comm Recon Co (Sec) have volunteered to construct the altar from stones collected from destroyed churches of the Protestant, Catholic, and Jewish faiths. Already Kaserne church-goers have begun a collection of stones from various churches destroyed by war.

Ever since arriving at Badenerhof, the Chaplain has been conducting his services in an upstairs dining room of the consolidated mess, with a minimum of noise from work in the dining room next door.

### Hints On PE 95

A member of the 852d Communication Reconnaissance Detachment offers the following helpful hints on the PE 95:

1. When the batteries go dead, don't break your back cranking. Get two jumper cables (#6 wire will do) and use a nearby jeep battery for current to the dead battery posts.

2. Why not install a 6 bolt light, with clips to attach to a battery, on the inside of the 1½ ton trailer and have both hands free to refuel rather than using a flashlight at night.

## HQ ASA Pacific



### ASAPAC Airmen

As was mentioned in the last published issue of the Review, building and flying gas powered model airplanes, a most interesting and exacting hobby, has become one of the major Special Service activities at Headquarters, ASA Pacific. With the possible exception of photography, model building is the most actively pursued year-round hobby on the post. In a ten month period, more than \$2,000. was spent by men of this Headquarters in the ASAPAC Hobby Shop for motors, planes, and associated equipment, and at least half again as much in the numerous model stores in Tokyo. Special Services procure and stock a wide variety of modeling items which are sold to the hobbyists at prices considerably below those on the open market.

### Steel Window Frames

ASAPAC is saving money by replacing many wooden, oriental-type window frames by the more familiar metal ones because with the wooden frames breakage was costing approximately \$500 annually. A broken catch often resulted in windstorm damage. The new frames are also more easily screened.

### 330th

COMRECO, the company radio station of the 330th is now sporting a record library of some 800 records and transcriptions. One of the many good breaks COMRECO has been receiving is a special set of transcription from KLAC TV in Hollywood. The programs,

5 minutes in length, are called 'A letter to Korea' and are aired every other night on COMRECO.

The program contains a transcribed letter from Betty White, star of her own TV show, and a song. The 330th is the only company receiving these transcriptions. This was made possible through the combined efforts of COMRECO and the staff of KLAC TV in Hollywood.

## 356th

### 356th (851st) Comm Recon Co

A few weather beaten and discarded signs are all that remain of the 851st Communication Reconnaissance Detachment at Camp Matsushima, Japan. All personnel and equipment of the 851st were transferred to the 356th Communication Reconnaissance Company which continues to occupy the same area at Camp Matsushima. The 851st had been at the camp for seventeen months after returning from a seven month tour of duty in Korea where it received the Meritorious Unit Commendation and the distinction of being the first ASA security monitoring organization to serve there.

The personnel took the change in stride and progress goes on uninterrupted. The new area is being landscaped with the help of both local military and Japanese authorities. A complete resodding is being done by the 356th. Permission was obtained from Japanese officials to dig trees from nearby woods and these are being planted throughout the area.

Since the above was written, most of the activities mentioned have been completed.

## 8612th

### Renovation Of Dining Room

The 8612 AAU Mess now features new china-ware, upholstered dining chairs, wine colored window drapes, wall murals and a newly painted white interior. Freshly cut flowers on the tables add to the homey atmosphere of the dining hall.

## Project For 8612th

In January of 1953, Field Station 8612 AAU "adopted" the Our Guardian Angel Orphanage of Kita-Hiroshima. This institution is operated by the Franciscan Missionaries of Mary, and houses one hundred forty four female orphans of both Japanese and Eurasian descent whose ages vary from two to twenty-one. Some of the orphans are victims of the bombing raids on Nagasaki and Hiroshima. The orphanage itself is housed in three buildings and include a chapel, dispensary and school.

The orphanage is partially supported by its community which farms a large portion of land surrounding the institution. The Franciscans number seven and are of French, Austrian, Japanese and American descent. It is their obligation to mother, nourish, and educate the orphans - all this without compensation. In spite of their individual efforts however, much of the orphanage's support must come from outside sources. One of the most important of these is Field Station 8612 AAU.



D/F EQUIPMENT ON OKINAWA

Direction finding installation at USM-3. Notice the cables which must be used to keep the building from tumbling away across the field during typhoons. The antennas are always dismantled during typhoons to prevent their total destruction. (Since the picture was taken, the overhead telephone line has been replaced by an underground cable.)

## 8609th

## Training Has Wider Meaning

Training since the advent of the Korean War in 1950 has become increasingly a part of every soldier's existence. The need for stress on such things as weapons familiarization, defense against bacteriological and radiological warfare, physical conditioning, and other aspects of training are readily evident.

## 8603d By-Passes Road Hazards

The personnel of the Transportation Section of Field Station, 8603d AAU, have completed a total of 313,826 accident-free miles since 31 May 51.

This enviable record, established over some of the worst roads imaginable, which are shared by horsecarts, pedestrians, and Okinawan and Japanese drivers, was compiled while the outfit went through three changes in name.

## Vint Hill Farms Station



## Vint Hill Installs Dial Phones

Installation of a new dial telephone system is a development this Spring at Vint Hill Farms Station. The new type phones were provided to improve the efficiency of communication between different sections on the post. The Telephone Exchange Building was remodeled last autumn.

## 711th

Moves To New Location  
At Fort Monroe

Due to the recent expansion of some sections of the Office, Chief of Army Field Forces, the 711th Comm Recon Det (Ln) was moved to a new site inside the walls of Old Fort Monroe.

The section of casemates assigned to the 711th was used as a prison following the



Casemate Occupied by 711th

War Between the States and a Confederate newspaper man, one John Mitchell of Richmond, Virginia, was confined there from June to October 1865. Just three doors away is the historic old casemate where Jefferson Davis, the President of the Confederacy was imprisoned following the end of hostilities.

Since the days of Jefferson Davis, the casemates have been used as family quarters, storage rooms, offices and for various other purposes, and a move is currently under way by the Virginia Historical Society to enlarge the Jefferson Davis Museum and convert the entire area into a museum of the Civil War period. For the present however, the 711th continues to refurbish the interior of the new location.



Site of Dam at TRRS

## Progress With Dam

At Two Rock Ranch Station a dam now lies across what was formerly a wooded gulch.

The adjoining scene shows the area when only a small part of the underbrush had been cut away.

## Changes in Skyline

The outside construction team recently completed raising 18 steel antenna supports, AB-105/FR, in the incredibly short time of 30 hours, using a 12 man team, one 35 foot crane and a K-43 truck.

## 8609th

What? You mean to say that we can't work the ham bands here in the Philippines? But they can't do that! I know I'm a foreign national, but what difference does that make? Well, that's the way it goes, I guess.

The foregoing bit of dialogue can be heard every time a new ham operator finds his way into the 8609th. But thanks to Uncle Sam we are authorized under the MARS program to operate on every MARS frequency. Primarily in the Philippines this consists of 14.405 MC.

If that sounds like a break, take a little time to think about that frequency. Normally 14.405 has about four cw stations, three of them commercial; two Far East stations; and the local station here at Clark Field (operated, if you'll pardon the expression, by the Air Force) all attempting to pass traffic at once. Consequently, while the local station is trying to work A6USA in dear old California, we are struggling to pass at least a percentage of our traffic through Guam and/or Tokyo.

Now for a little scoop on the rigs here in the 8609th and some of the people behind them. Some of you who have followed the now deceased ASA Review will probably remember that article by Mike Backus last year on our 35 watt "Globe Trotter" transmitter. Well, that particular piece of equipment lasted up until early fall of last year when it finally went west and a certain M/Sgt Kolski arrived here in the 8609th. After M/Sgt Kolski's arrival it was only a matter of weeks until we were piping out a good clean 600 watts to a 185 foot long wire antenna using a BC-799 for a receiver. Everything went along fine for a while after this. We even managed to erect a three element wide spaced beam rig on a 45 foot steel tower (tnx to the line crew) and increased our transmission and reception a thousand fold. Traffic in the meantime reached an all time high, and continued until July 1952, when ownership of the modified BC-610 changed hands from M/Sgt Kolski to Pfc Stuart. Shortly after this exchange, Pfc Stuart (WLSZV) was transferred to another station and the BC-

610 was crated and shipped to the ZI. Needless to say this incident kicked a hole large enough to throw a rhombic through broadside in the 8609th ham setup. For several months thereafter our station lay dormant. Now, however, with added interest being shown by various individuals, including Captain Herbert L. Swanson, AR officer, things are definitely looking up. From the local MARS headquarters and the seemingly inexhaustible resources of M/Sgt Kolski we have obtained an HO-17 (hut) which we have placed near the antenna tower and have a reconditioned BC-610. Also from a private source we have obtained the use of a BC-779. Space and operating voltages, not to mention an overloaded circuit breaker made it necessary for us to move from the original location in a corner of the utilities shop.

At present our ham roster reads as follows: M/Sgt J. P. Kolski, SFC D. B. Rogers, Sgt G. F. Bicknell, Sgt D. C. Bradley, Cpl. H. F. Easley, and Cpl. R. C. Lindsay. With the present interest in the program it is hoped that the MARS station at the 8609th will be on the air and operating with the authorized unit call, AD3AA. It is very disconcerting for a ham to hear W4, 5, 6, 7, 8, 0 etc. banging the pin and not be authorized to answer them. So give your buddies a break and tune up 14.405 way. VY 73's fer nw tnx fer the rc cuagn and pase qsl via Discussion Topics.

## 8603 Hams

### KR6JL And The Oriental Net

KR6JL has been active on the air here for about five months now and was one of the first members of the local Oriental net. The net was originated on Okinawa for the purpose of facilitating the passage of traffic both to and from the Far East and Stateside. This is not the only net in the Far East, by any means.

Our purpose is to handle traffic for stations who do not have facilities to handle Stateside traffic, or who cannot operate during duty hours when the other major nets meet. When the net originated it was merely a round-table with KR6JA as a net control. From this small start it has grown

into a ten-station group with many additional outstations which check into the net from time to time as their personal situations permit, or when they have traffic to handle. It is not a closed net, and any station desiring to work the net may do so by breaking at the proper time.

KR6JL was elected net control when KR6JA closed down to return to the States, because we were in an ideal location to copy and transmit to the other local islands. We also have the facilities to make the net practical. We have two operators on hand to work in the shack, thus making it possible to work every night in the week.

The net area consists of Okinawa, Guam, Japan, Formosa, and the other smaller groups of islands that lie in this section of the Pacific. The facilities available vary from 38 Watt rigs operated in living quarters to KW rigs that are manned on a 24-hour a day basis. KR6JL is fortunate enough to have the facilities of a well-equipped station, fully capable of running a KW, and possessing an excellent antenna.

Traffic is generally light except for the holiday seasons, and usually consists equally of in-coming and out-going traffic. The usual practice is to process Stateside traffic through Guam or Japan, with a small amount being handled directly via KR6JL.

The net meets every evening at 0930 GMT on 14.250 Mc. Anyone who hears us is invited to give a return call, regardless of the QTH. We will be glad to hear from you.

### Crypt Technician

(Continued from page 4)

ters.

Our cryptographic duties at the Hague consisted mostly of the encipherment and decipherment of messages to and from Washington, London, Paris, and other European Capitols. For these communications we had available a variety of systems. Regardless of the classification of any individual message, it was necessary never to discuss the contents with anyone. This, in essence, gave each message a tacit classification of Top Secret. It can readily be seen that the unauthorized discussion of almost any attache message could easily embarrass the United States within the Capitol of the country.

The fact that there are no military duties other than the accomplishment of the mission enables an Army attache office to operate with a small staff. The result therefore is that most stations have only one cryptographic technician, who must assist the clerical members of the staff and must train the clerical personnel for duty in communications. It seems unusual for an attache office to have anyone with more than an introductory knowledge of message center procedures and requirements, and a cryptographic technician must be self-sufficient or he is lost. The Signal Corps motto "Get the Message Through" becomes a very personal thing.

### COLLABORATION WITH STATE DEPARTMENT

The State Department provides its own communications. In general, that department has more traffic, more personnel, and a larger budget. There is a great deal of collaboration between the Armed Forces and the civilian crypto staffs. State has roving crypto repairmen who are authorized to service military equipment. In return, the Air Force provides air transportation.

There are many pleasant moments in an Embassy, and many pleasant vacations are usually available. While at the Hague I made trips to Germany, Belgium, Luxemburg, France, Denmark, and other scenic and historic locations. My wife accompanied me on most of the trips.

### Ingenuity Improves Field Setup

Company "B" 307th Communications Reconnaissance Battalion greatly improved its living conditions while in the field near Hersfield, Germany. Pyramidal and large wall tents replaced the pup tents. In each of the former, stoves, electric lights and cots have been installed to provide further comfort. A power unit, which was located in the center of the area, furnished power for the lights. The dayroom was a squad tent. This furnished some recreational facilities for the men in their off duty time. The equipment included radio, magazines, writing tables, and an assortment of lounge chairs, card tables and a coke bar. An outdoor movie was maintained. This was located on a slope in the area, and shows 16MM films borrowed from a nearby unit. A temporary screen was erected between two trees. Weather permitting, a full length movie was shown.



**MAKE  
ASA  
SPELL  
ECONOMY**

**E**xercise care with equipment and caution with procedures.

**C**onserve expendable supplies.

**O**verhaul material up to echelon of maintenance permitted.

**N**ote lost motion in processing and systematize activities.

**O**bserve every phase of every operation which may affect results.

**M**ake team work pay - push tasks on which tasks of others depend.

**Y**oke up intelligence - accuracy - persistence - and speed.

**A**nticipate wasted effort before it is expended.

**S**ecure sound results by attention to small matters.

**A**pply first priorities to first things.

