

~~SECRET~~

Drawings

U.S. Pat Office

Application Serial N°-70,412

(SIDE - 11)

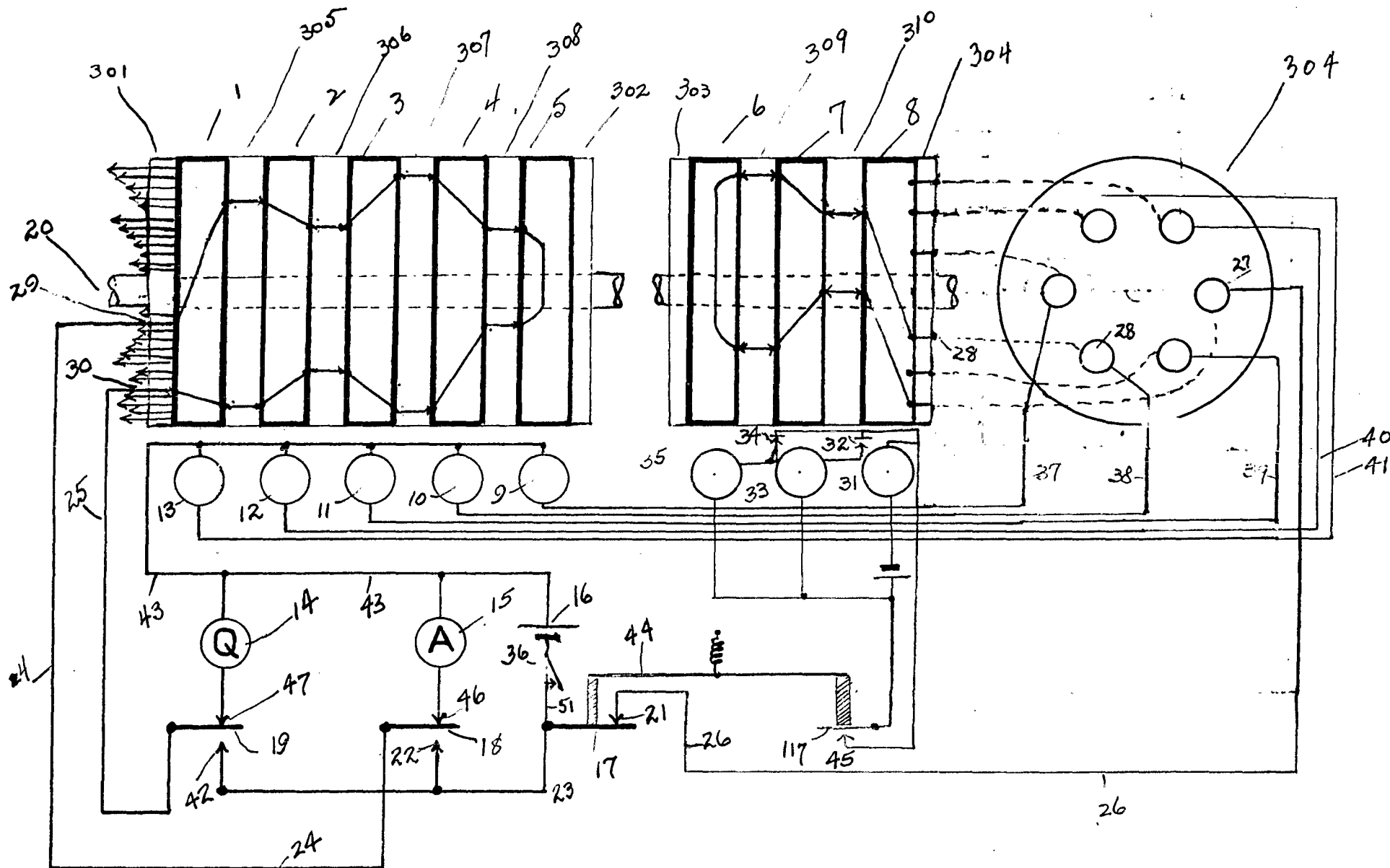


Fig. 1.

Inventors:  
 Washington, D. C. Aug. 31, 1935  
 William F. Friedman  
 Frank B. Rowlett

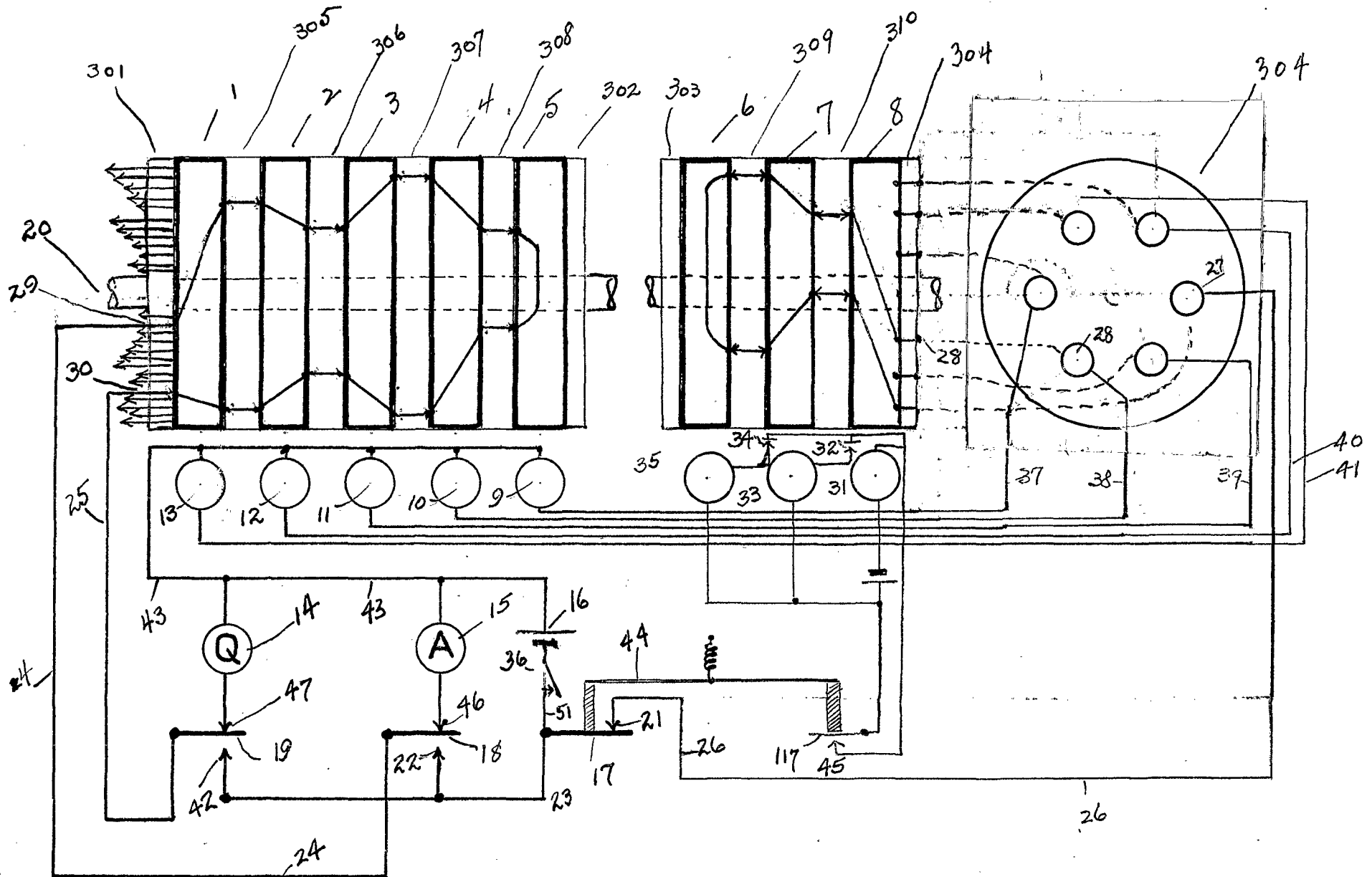
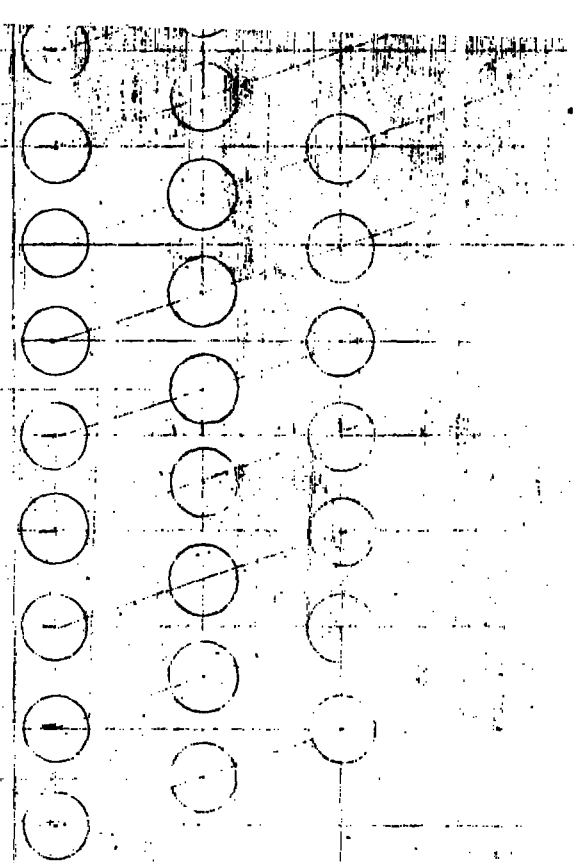
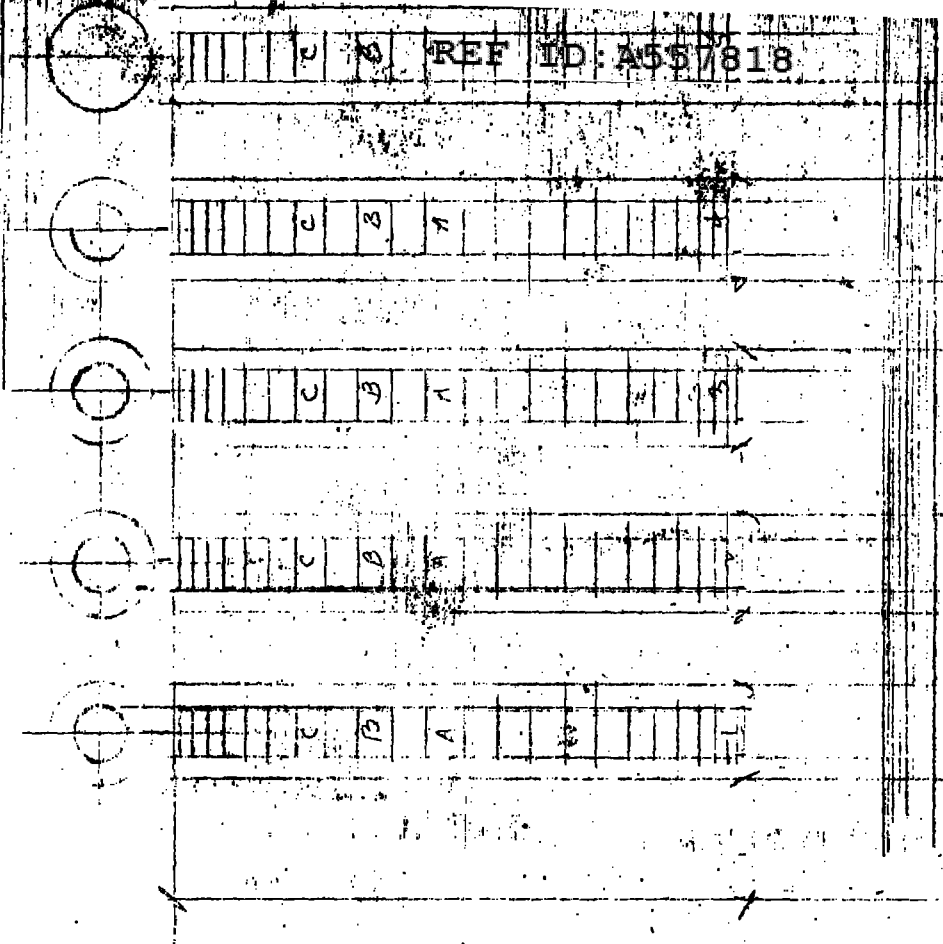
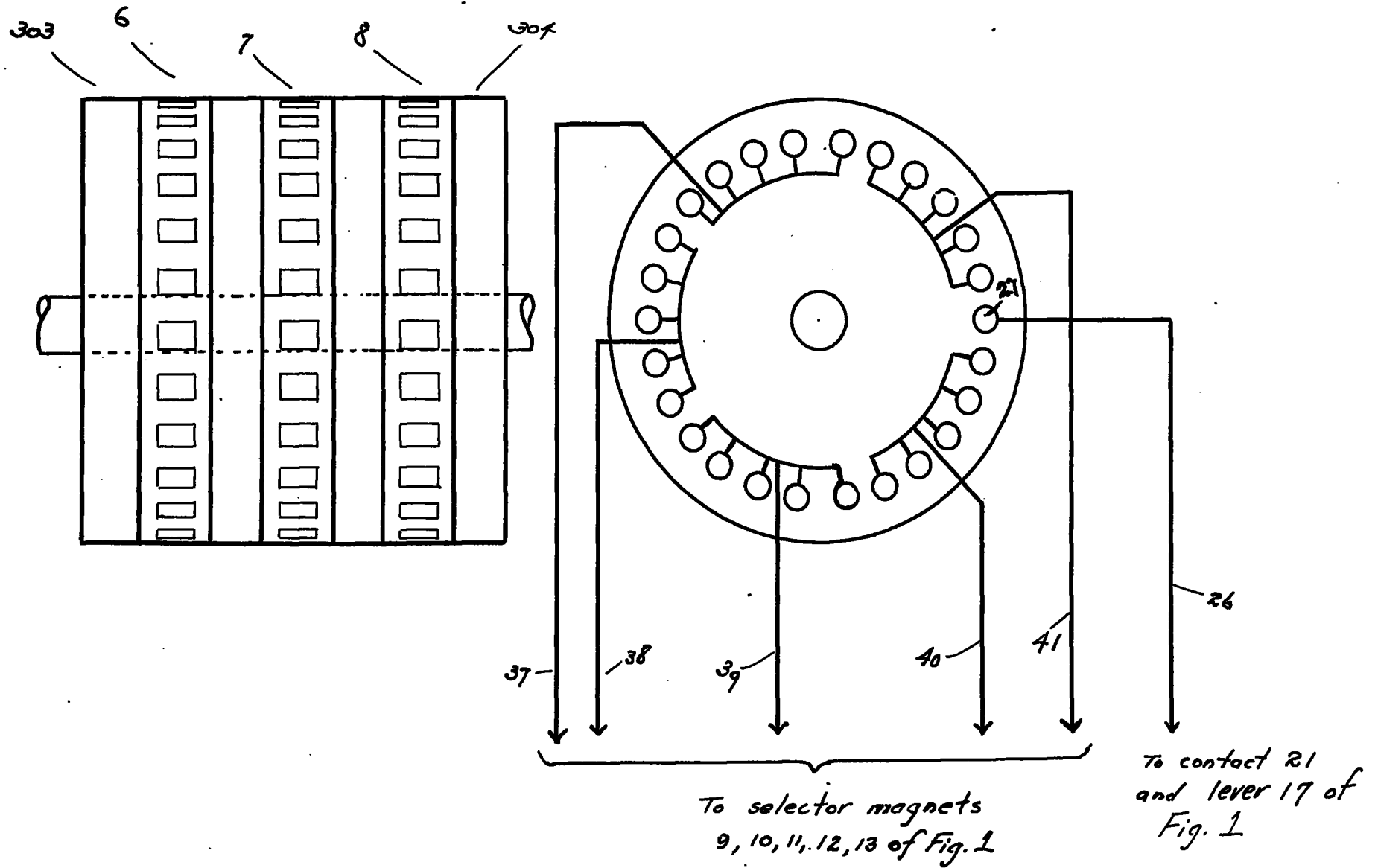


Fig. 1.

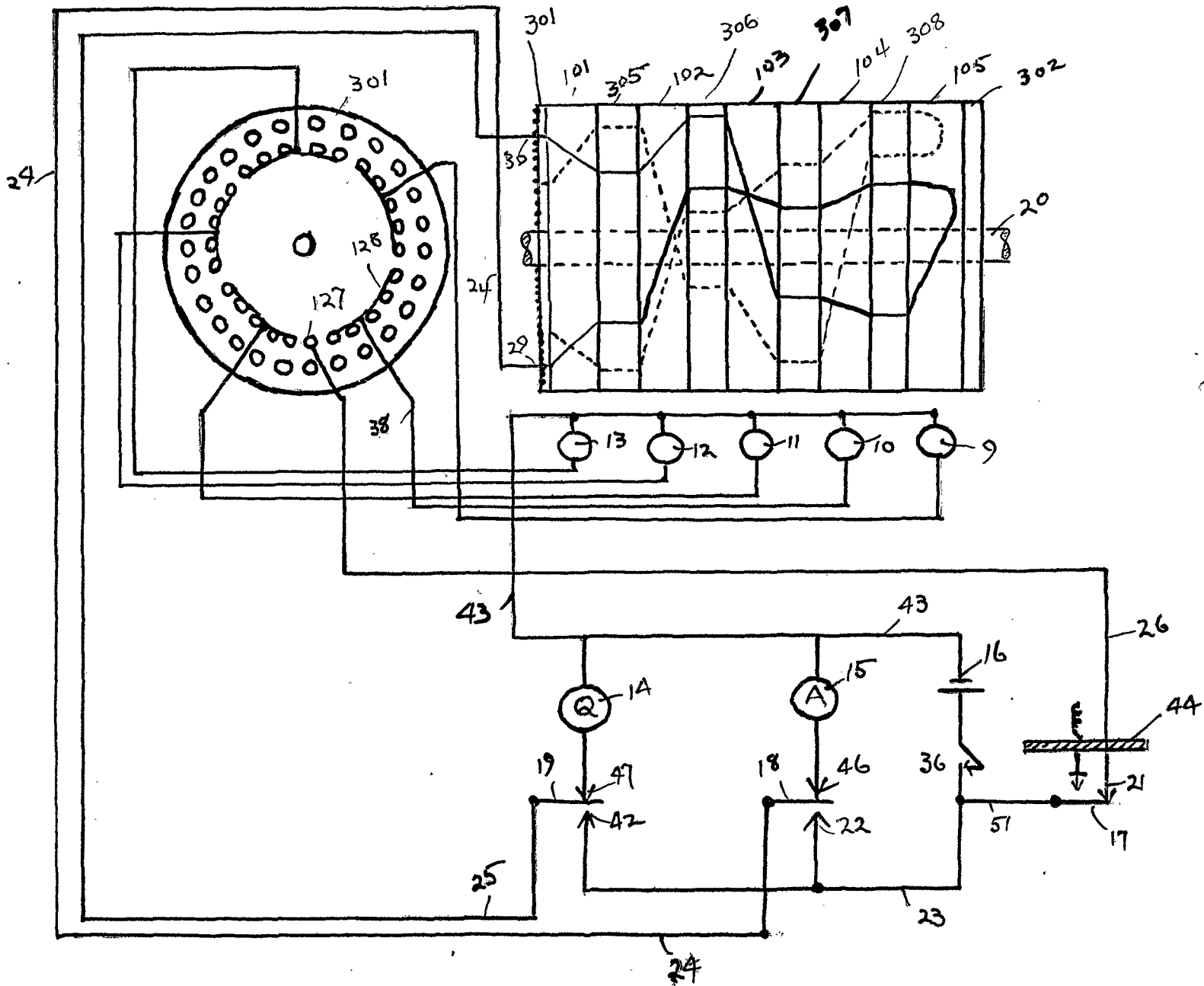
Inventors:  
 Washington, D.C. Aug. 31, 1935  
 William F. Friedman  
 Frank B. Rowlett





Inventors:  
Washington, D.C.  
Aug 30, 1935  
William F. Friedman  
Frank B. Rowlett

Fig. 2



Inventors:  
 Washington, D.C.,  
 Aug. 31, 1935  
 William F. Friedman  
 Frank B. Rowlett  
 by J.

Fig. 3

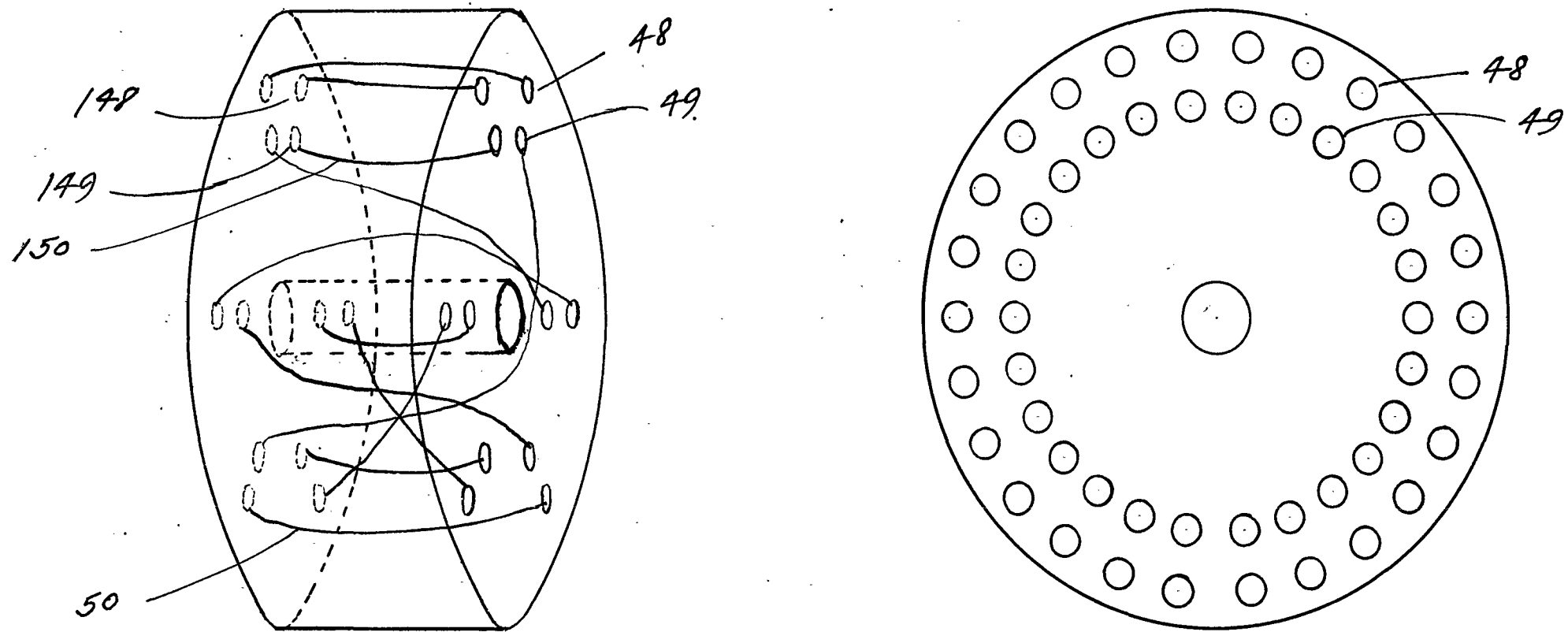
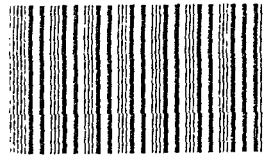


Fig. 4

Inventors:  
Washington, D.C. Aug 31, 1935  
William F. Friedman  
Frank B. Rowlett

# Exception Place Holder



77777777777777



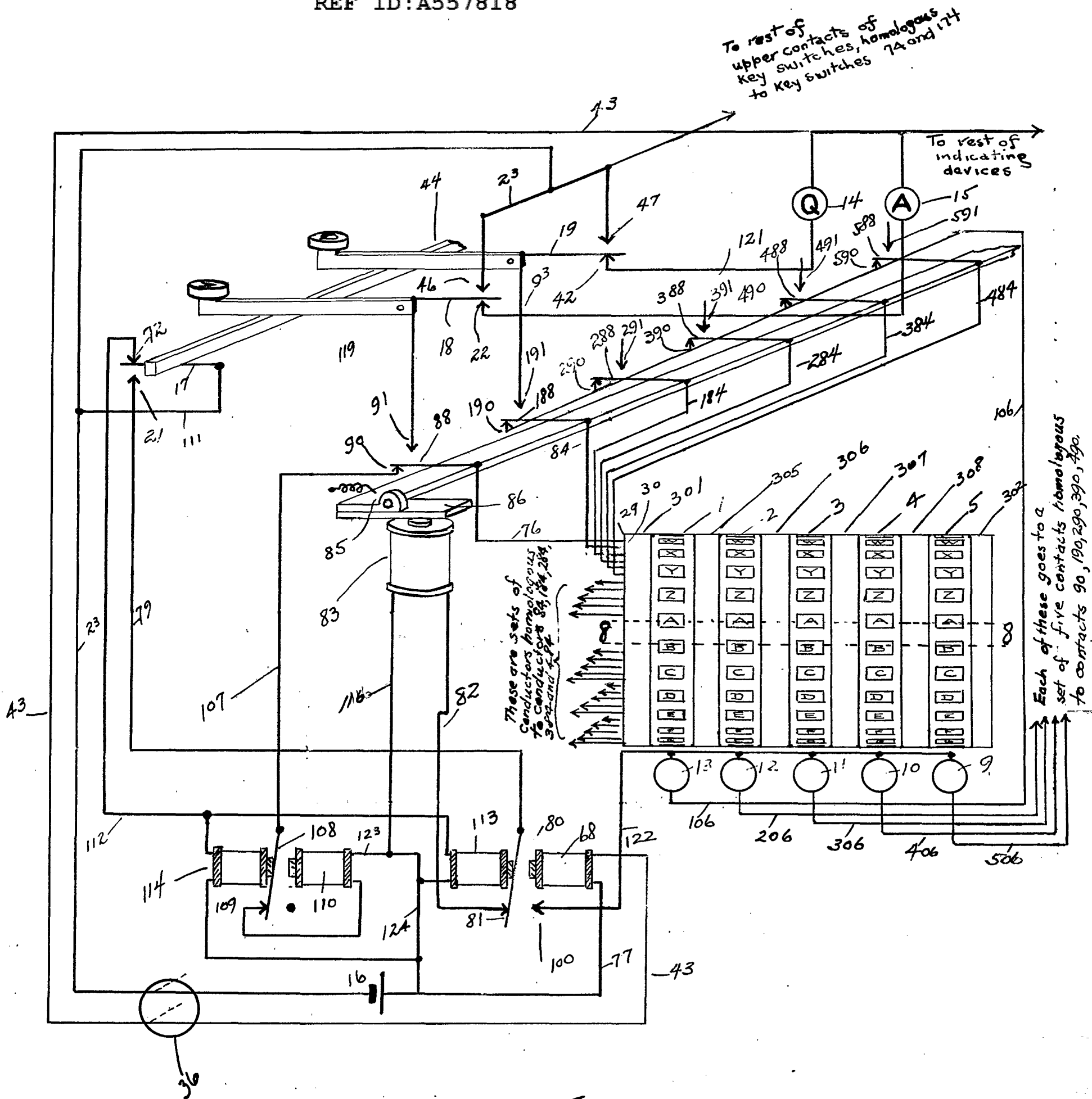
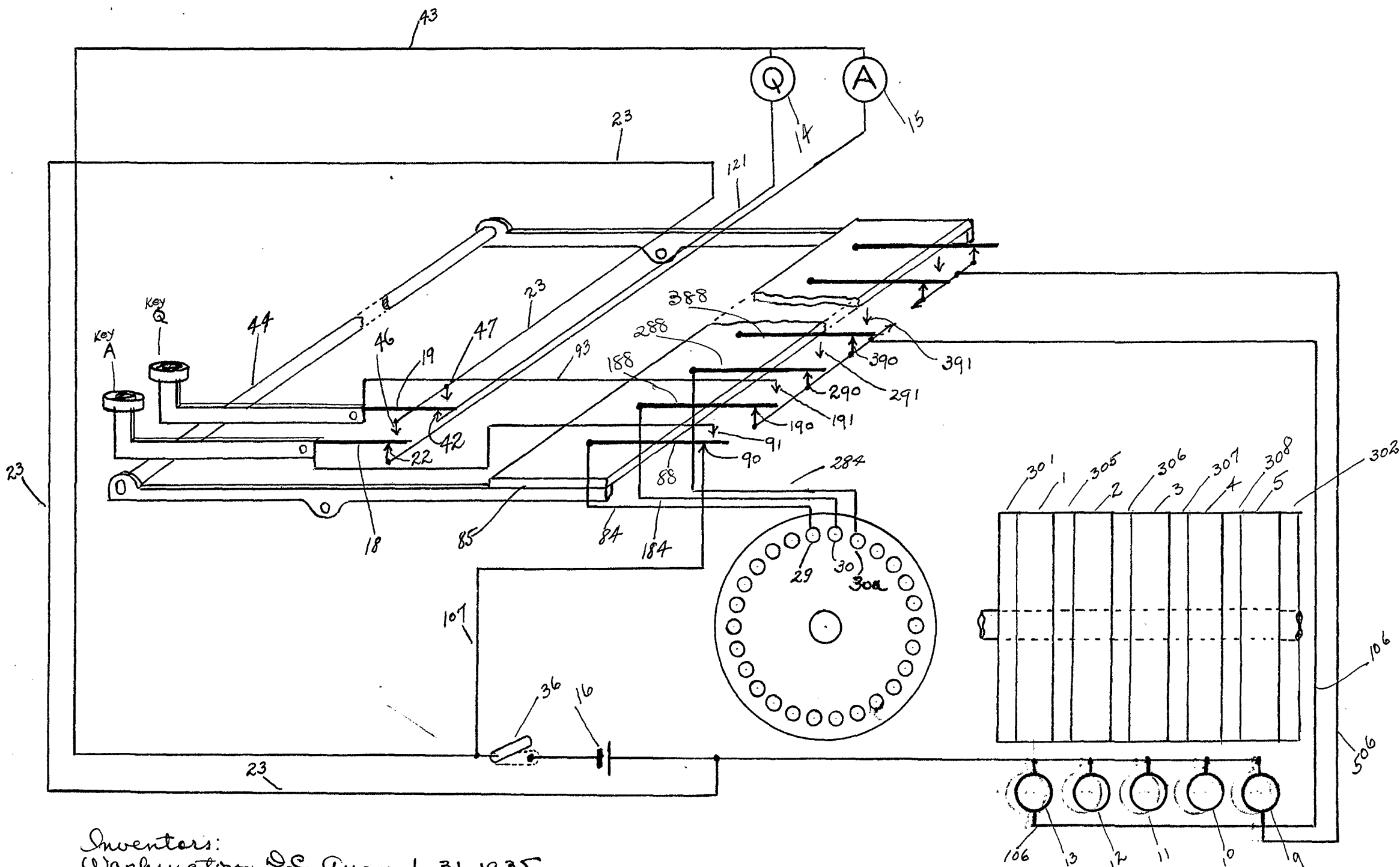


Fig. 6

Inventors:  
 Washington, D.C., Aug. 31, 1931  
 William F. Friedman  
 Frank B. Rowlett



Inventors:  
 Washington, D.C. August 31, 1935  
 William F. Friedman  
 Frank B. Rowlett

Fig. 7