

FIG. 1.

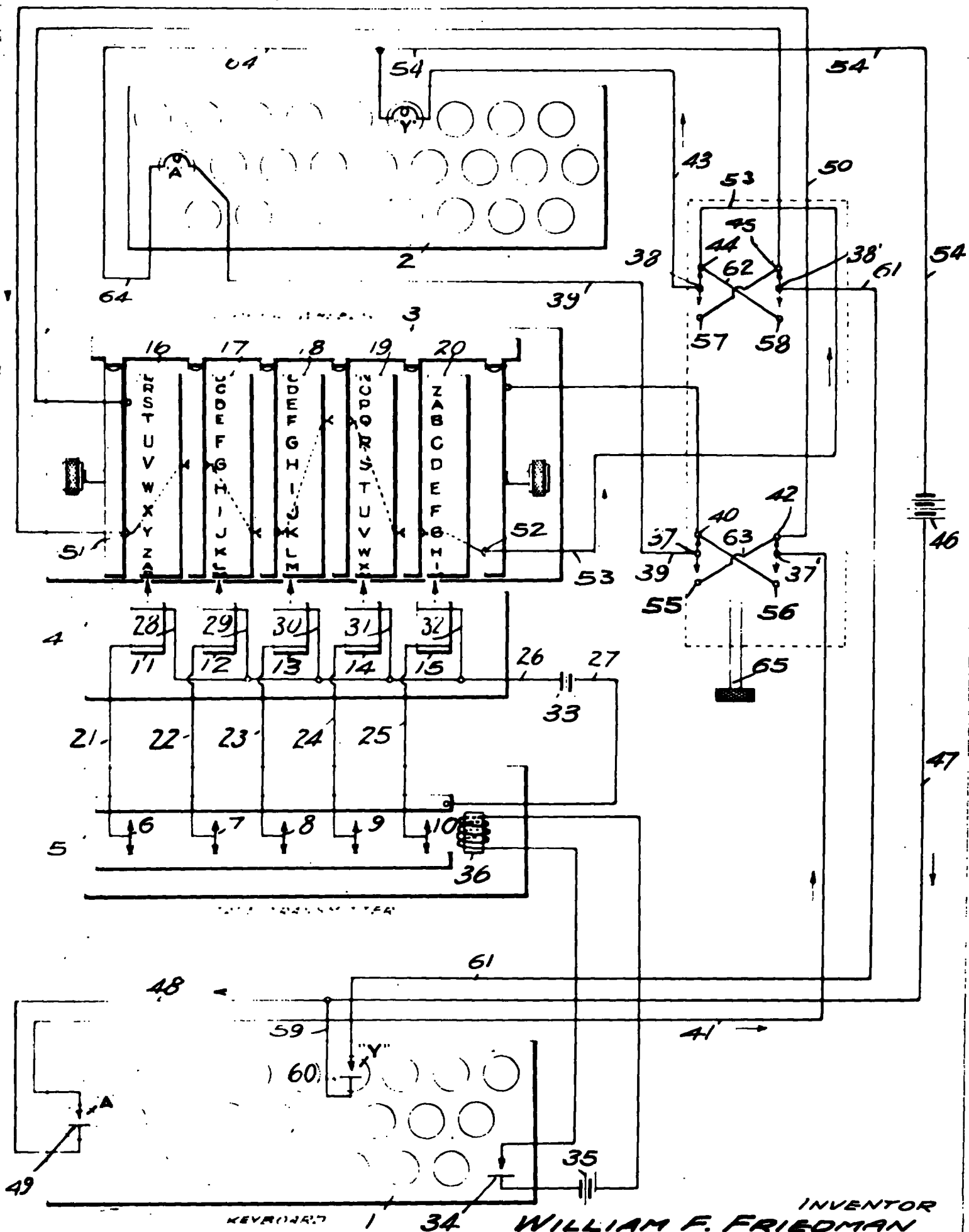


FIG. 2.

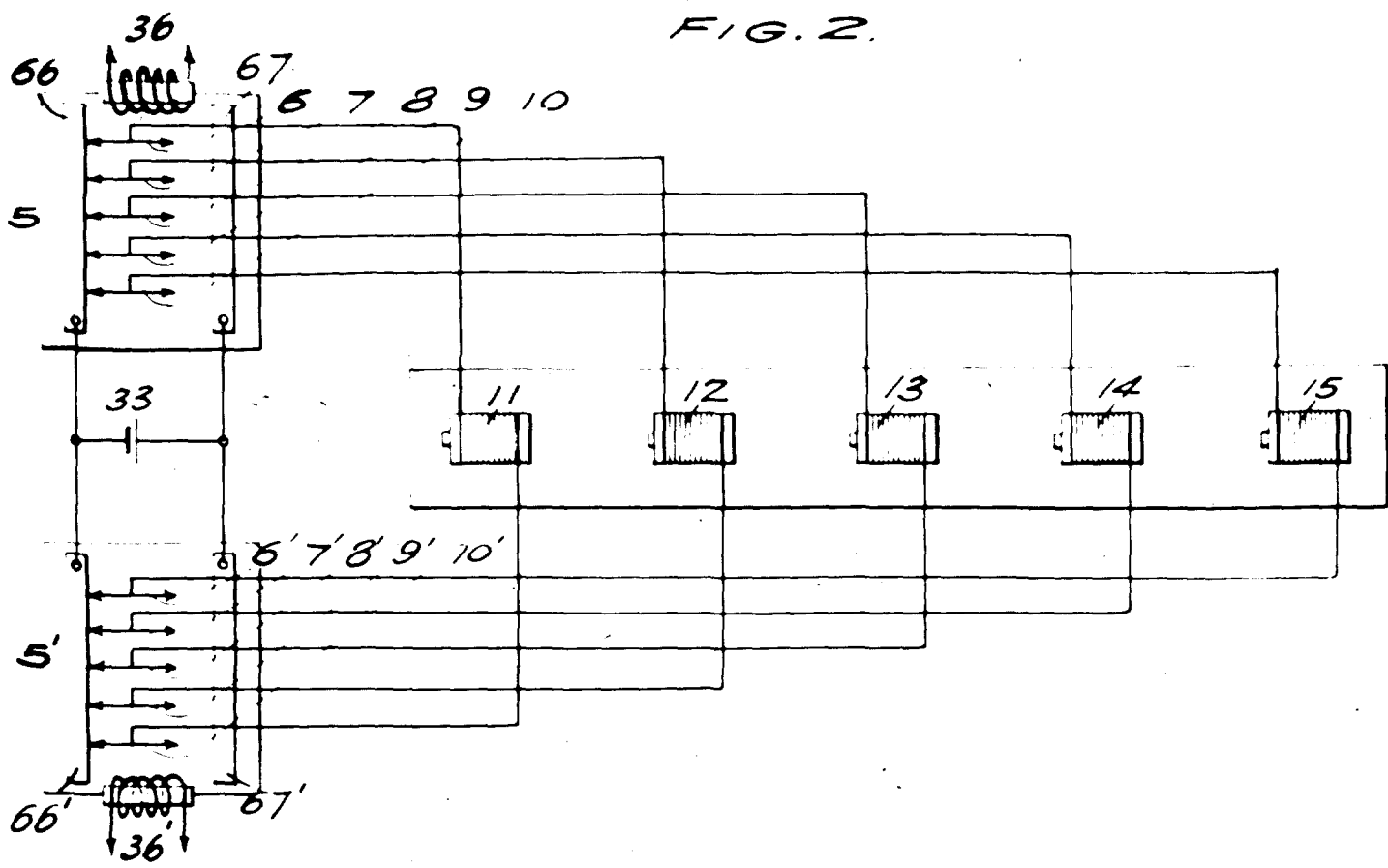
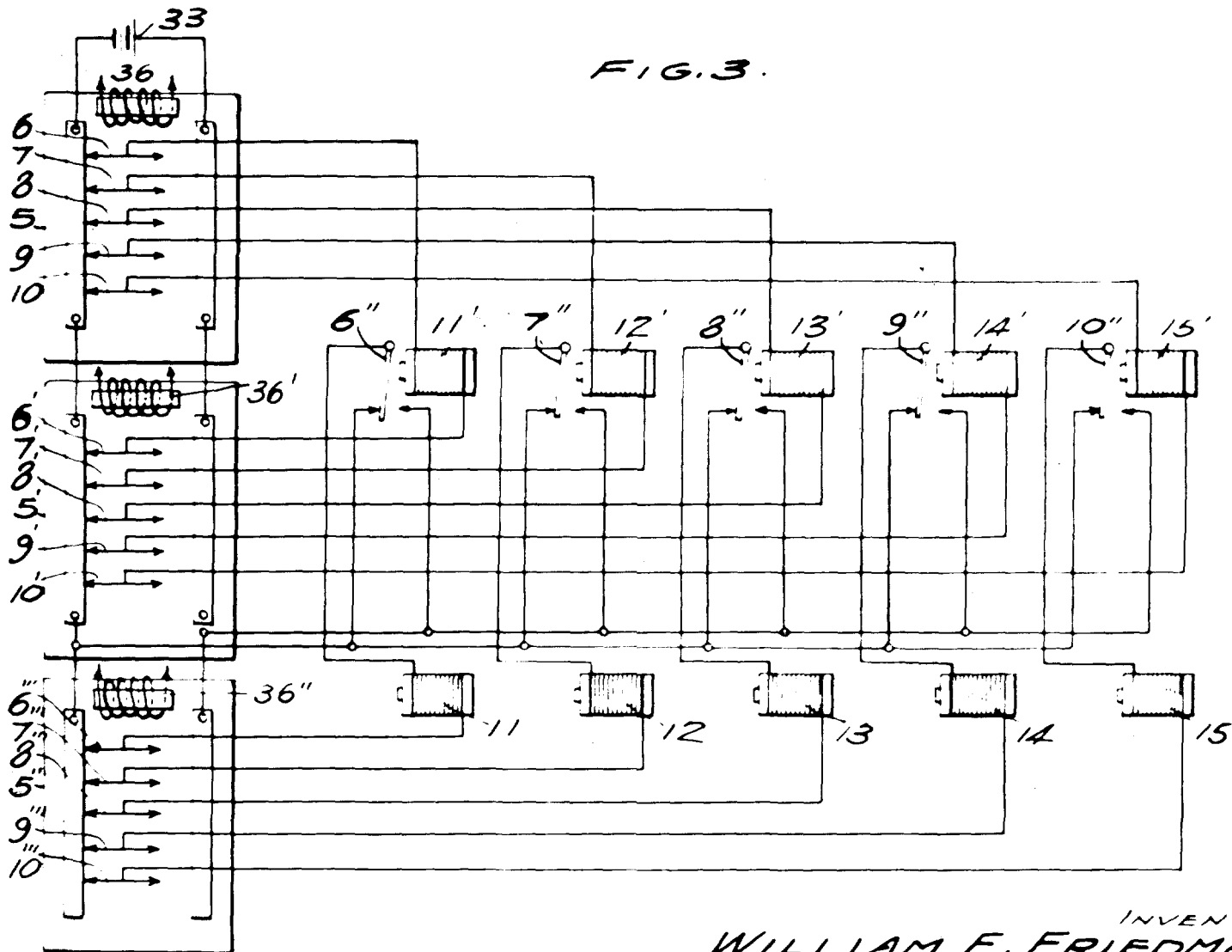


FIG. 3.



INVENTOR
 WILLIAM F. FRIEDMAN
 Francis H. Vanderwerker
 BY Charles A. Rowe