

Schematic Representation of Operation of "System and Means for enciphering and Deciphering Magnetically Recorded Signals"; invented May 12, 1936 by:

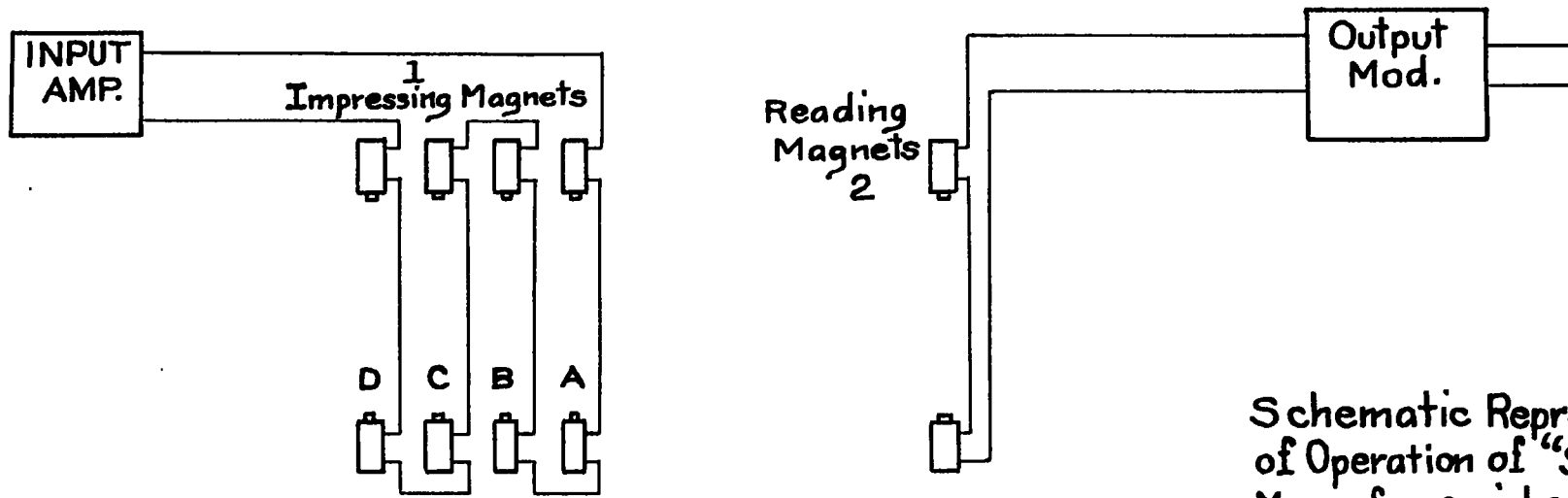
*William F. Friedman
 Harold G. Miller
 Capt., U.S.A.*

*Disclosed to me
 May 23, 1936*

*Solomon Kullback
 5311 8th St N.W., Wash. D.C.*

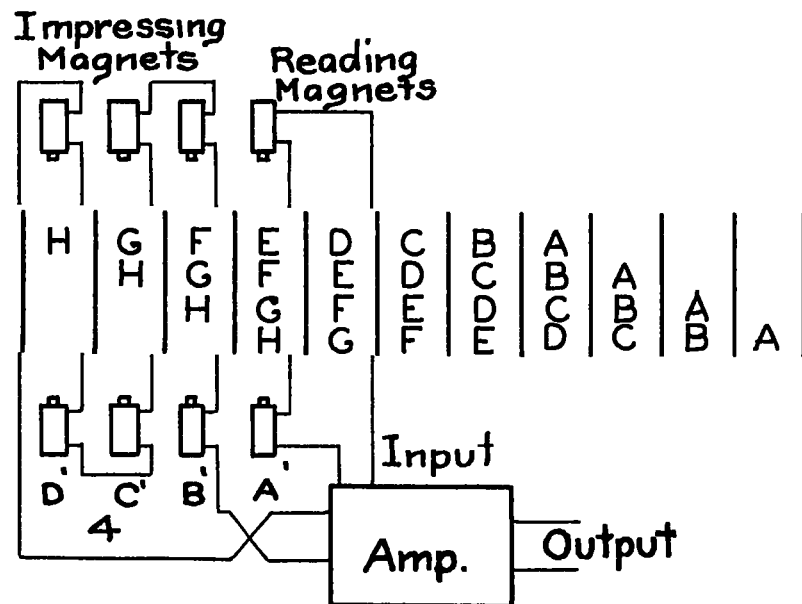
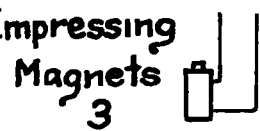
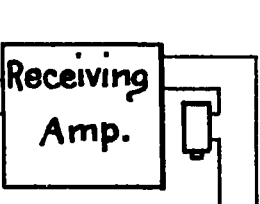
*Disclosed to me May 23, 1936
 Abraham Sinkov
 518 H St NW Wash. D.C.*

(Scanner Note: Cont'd next page)



Schematic Representation
of Operation of "System and
Means for enciphering and
Deciphering Magnetically
Recorded Signals"; Invented
May 12, 1936 by:

William F. Friedman
7/1/1936



Disclosed to me
May 23, 1936
Solomon Kullback
5311 8th St N.W., Wash. D.C.
Disclosed to me May 23, 1936
Abraham Sinkov
518 H St NW Wash. D.C.

COPY FOR MR. FRIEDMAN

WAR DEPARTMENT
OFFICE OF THE CHIEF SIGNAL OFFICER
WASHINGTON

8

May 25, 1936

MEMORANDUM FOR: Research and Development Division
(THRU: War Plans & Training Division)

1. There are forwarded herewith two sketches and brief explanation of a "System and Means for Enciphering and Deciphering Magnetically-Recorded Signals", which is the joint invention of the undersigned.
2. Some doubt has been expressed with regard to the validity of the basic assumptions upon which the ideas embodied in the system now rest. It is understood that Mr. W. D. Herahberger of the Signal Corps Laboratories at Fort Monmouth has made rather extensive investigations in the field in which this system falls and that he is expected to be in Washington in the near future. A conference with him on this subject would be most desirable and it is requested that this be arranged for, if practicable.
3. If the system turns out to be theoretically sound in principle, it is desired that patent application be filed thereon.

Harrod G. Miller,
Captain, Signal Corps.

William F. Friedman.

Attached:
Two sketches.